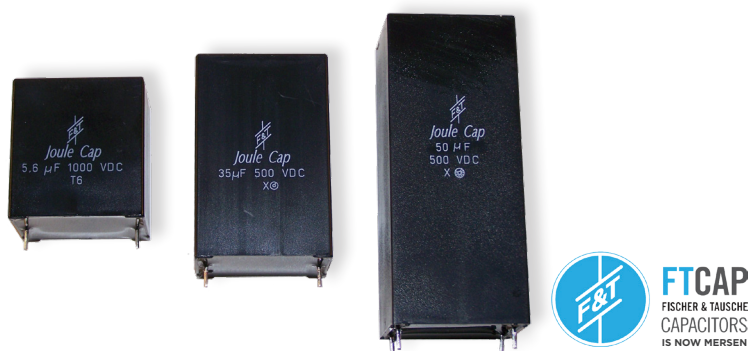


Joule Cap

FILM CAPACITORS

85°C



Technical Data Overview	
Capacitance range	2,5 μ F ... 50 μ F others on request
Rated voltage DC	500 VDC ... 1500 VDC
Available tolerance	$\pm 5\%$ [J] $\pm 10\%$ [K]
Rated RMS current	max. 23 A _{RMS}
Operating temperature range	-40 °C ... +85 °C
Climatic category DIN IEC 68/1	40/085/21
Terminals	PCB Pins, 2x 1mm or 4x 1mm, or press-fit contacts
Terminal length	3,5 - 25mm

Different voltages and capacitance combinations are available on request.
Also in small lots.

FEATURES & BENEFITS:

- Greatest Capacitance/Voltage product in smallest size package
- Box construction facilitates high density PCB layout
- Low inductance achieved by horizontal layering of capacitor element
- Self-healing PP dielectric

APPLICATIONS:

- Inverters
- Photoflash
- Stroboscopes
- Motor Drivers
- Bulk energy storage for applications with high active currents

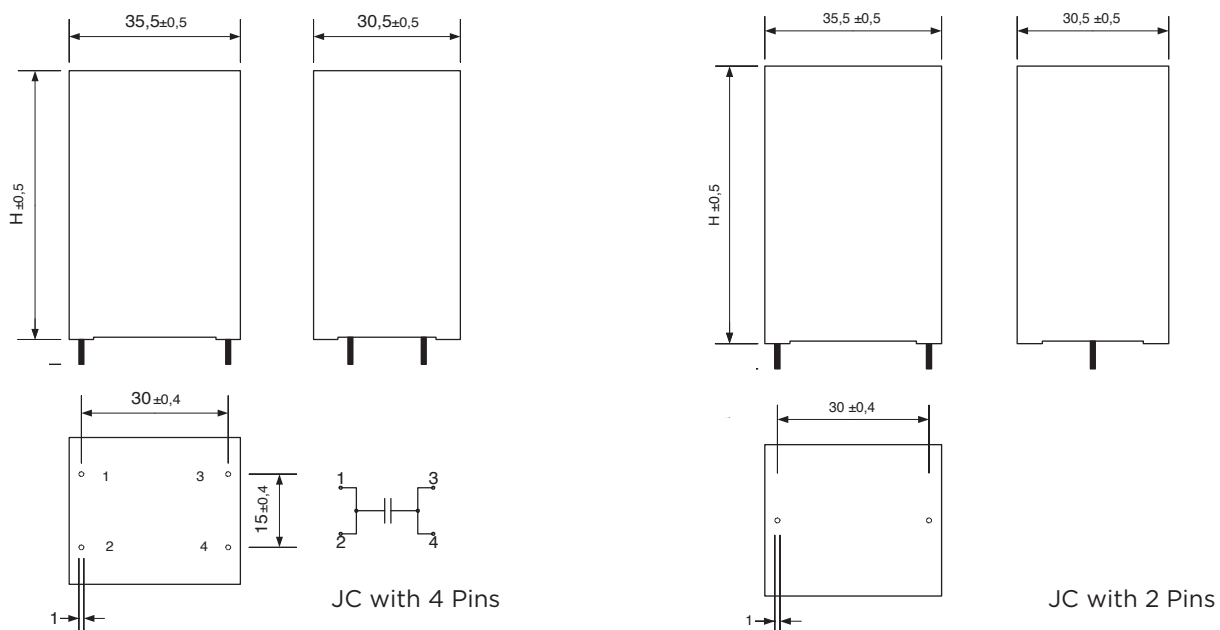
APPROVALS:

- RoHS compliant
- REACH compliant

ELECTRICAL DATA FOR SERIES JOULE CAP

U _R [V _{DC}]	C _R [μF]	H [mm]	Max. ESR @ 10kHz [mΩ]	Max. I _{RMS} @ 10kHz/30°C [A]		R _{th} [K/W]	Weight (approx) [g]	Part No. plus [...] = tol. and wire length
				2-Pin	4-Pin			
500	18	38	6	15	23	13	55	JC18μ500d38...
	35	55	4	15	23	10	75	JC35μ500d55...
	50	84	3	-	23	7	110	JC50μ500d84...
600	15	38	7	15	23	13	55	JC15μ600d38...
	30	55	4	15	23	10	75	JC30μ600d55...
	40	84	3,5	-	23	7	110	JC40μ600d84...
750	10	38	8	15	23	13	55	JC10μ750d38...
	20	55	4	15	23	10	75	JC20μ750d55...
	33	84	4	-	23	7	110	JC33μ750d84...
900	6,8	38	9	15	23	13	55	JC6.8μ900d38...
	14	55	5	15	23	10	75	JC14μ900d55...
	22	84	4	-	23	7	110	JC22μ900d84...
1000	5,6	38	10	15	22	13	55	JC5.6μ1000d38...
	10	55	6	15	23	10	75	JC10μ1000d55...
	16	84	5	-	23	7	110	JC16μ1000d84...
1200	4,2	38	11	15	21	13	55	JC4.2μ1200d38...
	7	55	7	15	23	10	75	JC7μ1200d55...
	12	84	5,5	-	23	7	110	JC12μ1200d84...
1500	2,5	38	12	15	18	13	55	JC2.5μ1500d38...
	4,7	55	8	15	23	10	75	JC4.7μ1500d55...
	7,5	84	6	-	23	7	110	JC7.5μ1500d84...

EXAMPLE OF DRAWINGS FOR SERIES JOULE CAP

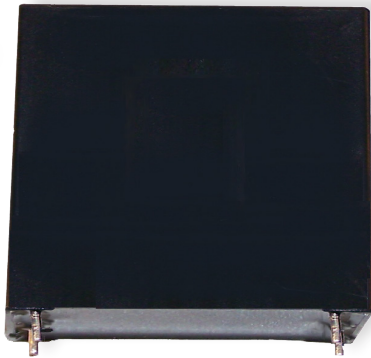


© 2025 Mersen. All rights reserved. Mersen reserves the right to change, update, or correct, without notice, any information contained in this datasheet.

Power Link

FILM CAPACITORS

85°C



FEATURES & BENEFITS:

- High CV product
- Compact design
- Overvoltage capability
- Self-healing PP dielectric

APPLICATIONS:

- High-end and industrial power supplies
- Solar inverters
- Frequency converters

APPROVALS:

- RoHS compliant
- REACH compliant

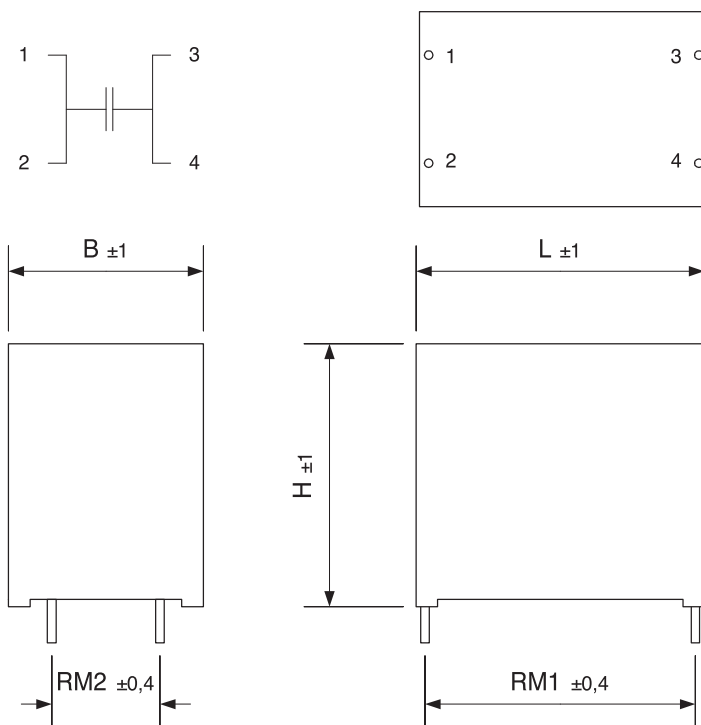
Technical Data Overview	
Capacitance range	6 μ F ... 65 μ F others on request
Rated voltage DC	700 Vdc ... 1500 Vdc
Available tolerance	$\pm 5\%$ [J] $\pm 10\%$ [K]
Rated RMS current @ 30 °C	max. 29 A _{RMS}
Operating temperature range	-40 °C ... +85 °C
Climatic category DIN IEC 68/1	40/085/21
Terminals	PCB Pins, 4x 1,2mm, or press-fit contacts
Terminal length	3,5 - 25mm

*Different voltages and capacitance combinations are available on request.
Also in small lots.*

ELECTRICAL DATA FOR SERIES POWER LINK

U_R	C_R	Dimensions	Pitch	Max. ESR @1kHz	dU/dt	Max. I_{RMS} @1kHz/30°C	I_{Peak}	Energy	R_{th}	Weight (approx)	Part No. plus (...)=tol. and wire length
[V _{DC}]	[μF]	[mm]	[mm]	[mΩ]	[V/μs]	[A]	[A]	[Ws]	[K/W]	[g]	
700	24	40x27x36	37,5x16	9	33	22	795	5,9	14	50	PL24μ700d040027036...
	33	43x30x45	37,5x16	7	33	29	1093	8,1	11	75	PL33μ700d043030045...
	50	58x30x45	52,5x20,3	9	22	28	1116	12,3	9	100	PL50μ700d058030045...
	65	58x35x50	52,5x20,3	7	22	29	1451	15,9	7	135	PL65μ700d058035050...
900	16	40x27x36	37,5x16	10	41	20	662	6,5	14	50	PL16μ900d040027036...
	22	43x30x45	37,5x16	6	41	29	911	8,9	11	75	PL22μ900d043030045...
	32	58x30x45	52,5x20,3	11	28	26	893	13,0	9	100	PL32μ900d058030045...
	42	58x35x50	52,5x20,3	8	28	29	1172	17,0	7	135	PL42μ900d058035050...
1100	11	40x27x36	37,5x16	13	27	25	303	6,7	14	50	PL11μ1100d040027036...
	15	43x30x45	37,5x16	9	50	24	745	9,1	11	75	PL15μ1100d043030045...
	22	58x30x45	52,5x20,3	13	33	23	737	13,3	9	100	PL22μ1100d058030045...
	30	58x35x50	52,5x20,3	10	33	29	1004	18,2	7	135	PL30μ1100d058035050...
1300	8	40x27x36	37,5x16	15	58	17	464	6,8	14	50	PL8μ1300d040027036...
	10	43x30x45	37,5x16	12	58	22	580	8,5	11	75	PL10μ1300d043030045...
	16	58x30x45	52,5x20,3	15	39	22	625	13,5	9	100	PL16μ1300d058030045...
	21	58x35x50	52,5x20,3	12	39	27	820	17,8	7	135	PL21μ1300d058035050...
1500	6	40x27x36	37,5x16	16	66	16	397	6,8	14	50	PL6μ1500d040027036...
	8	43x30x45	37,5x16	13	66	21	530	9,0	11	75	PL8μ1500d043030045...
	12	58x30x45	52,5x20,3	17	45	20	536	13,5	9	100	PL12μ1500d058030045...
	16	58x35x50	52,5x20,3	13	45	25	714	18,0	7	135	PL16μ1500d058035050...

EXAMPLE OF DRAWINGS FOR SERIES POWER LINK



Double Power

FILM CAPACITORS

85°C



FEATURES & BENEFITS:

- High CV product
- Compact design
- Overvoltage capability
- 2 windings parallel placed, therefore half PCB Space
- Self-healing PP dielectric

APPLICATIONS:

- High-end and industrial power supplies
- Solar inverters
- Frequency converters

APPROVALS:

- RoHS compliant
- REACH compliant

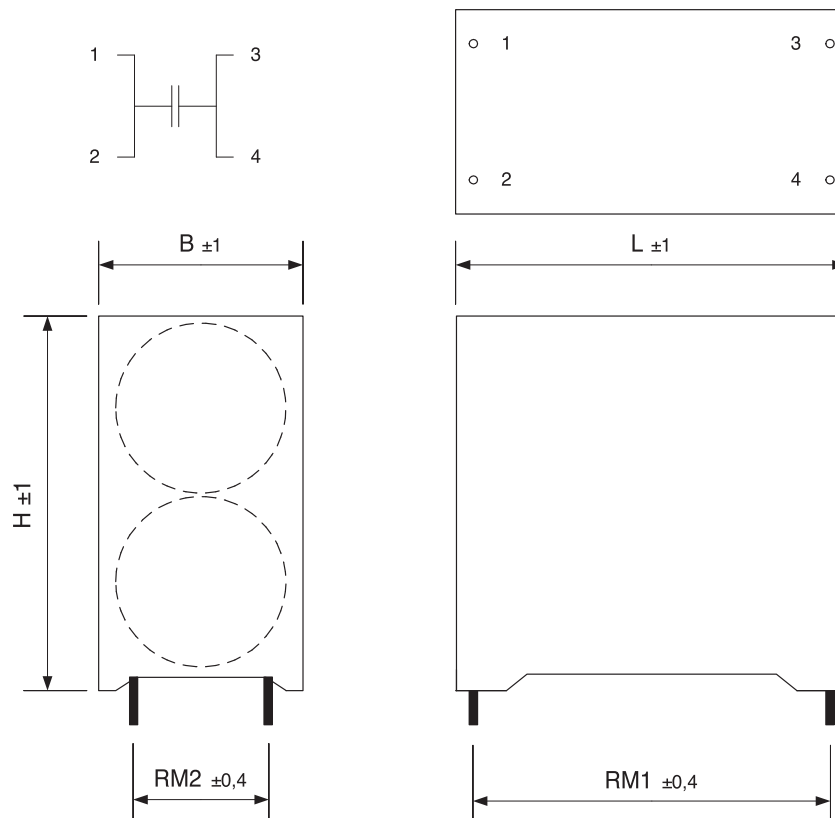
Technical Data Overview	
Capacitance range	11 μ F ... 85 μ F others on request
Rated voltage range DC	700 VDC ... 1500 VDC
Available tolerance	$\pm 5\%$ (J) $\pm 10\%$ (K)
Rated RMS current @ 30 °C	max. 43 A _{RMS}
Operating temperature range	- 40°C ... + 85 °C
Climatic category DIN IEC 68/1	40/085/21
Terminals	PCB Pins, 4x 1,4mm, or press-fit contacts
Terminal length	3,5 - 25 mm

*Different voltages and capacitance combinations are available on request.
Also in small lots.*

ELECTRICAL DATA FOR SERIES DOUBLE POWER

U_R [V _{DC}]	C_R [μF]	Dimensions [mm]	Pitch [mm]	Max. ESR @ 1kHz [mΩ]	Max. I_{RMS} @ 1kHz/30°C [A]	I_{Peak} [A]	Energy [Ws]	R_{th} [K/W]	Weigth (approx) [g]	Part No. plus (...) = tol. and wire length
700	40	43x30x60	37,5x16	6	35	1470	9,8	8	100	DP40μ700d043030060...
	60	58x30x60	52,5x20,3	7,5	34	1490	14,7	6,5	140	DP60μ700d058030060...
	85	58x35x69	52,5x20,3	5,5	43	2110	20,8	5,5	180	DP85μ700d058035069...
900	33	43x30x60	37,5x16	7	34	1350	13,4	8	100	DP33μ900d043030060...
	50	58x30x60	52,5x20,3	8,5	33	1370	20,2	6,5	140	DP50μ900d058030060...
	70	58x35x69	52,5x20,3	6	43	1920	28,3	5,5	180	DP70μ900d058035069...
1100	22	43x30x60	37,5x16	8,5	31	1100	13,3	8	100	DP22μ1100d043030060...
	32	58x30x60	52,5x20,3	10,5	29	1050	19,3	6,5	140	DP32μ1100d058030060...
	45	58x35x69	52,5x20,3	7,5	38	1500	27,2	5,5	180	DP45μ1100d058035069...
1300	15	43x30x60	37,5x16	10,5	28	920	12,6	8	100	DP15μ1300d043030060...
	22	58x30x60	52,5x20,3	13	27	900	18,5	6,5	140	DP22μ1300d058030060...
	32	58x35x69	52,5x20,3	9	35	1310	27,0	5,5	180	DP32μ1300d058035069...
1500	11	43x30x60	37,5x16	12,5	26	800	12,3	8	100	DP11μ1500d043030060...
	16	58x30x60	52,5x20,3	15,5	25	770	18,0	6,5	140	DP16μ1500d058030060...
	23	58x35x69	52,5x20,3	11	32	1080	25,8	5,5	180	DP23μ1500d058035069...

EXAMPLE OF DRAWINGS FOR SERIES DOUBLE POWER



Castor Cap

FILM CAPACITORS

85°C



FEATURES & BENEFITS:

- Compact design
- Controlled self-healing process
- Designed for printed circuit board mounting
- Self-healing PP dielectric

APPLICATIONS:

- Medical application
- Aviation technology
- Inverters
- Railway application
- Signalling
- Flash application

APPROVALS:

- RoHS compliant
- REACH compliant

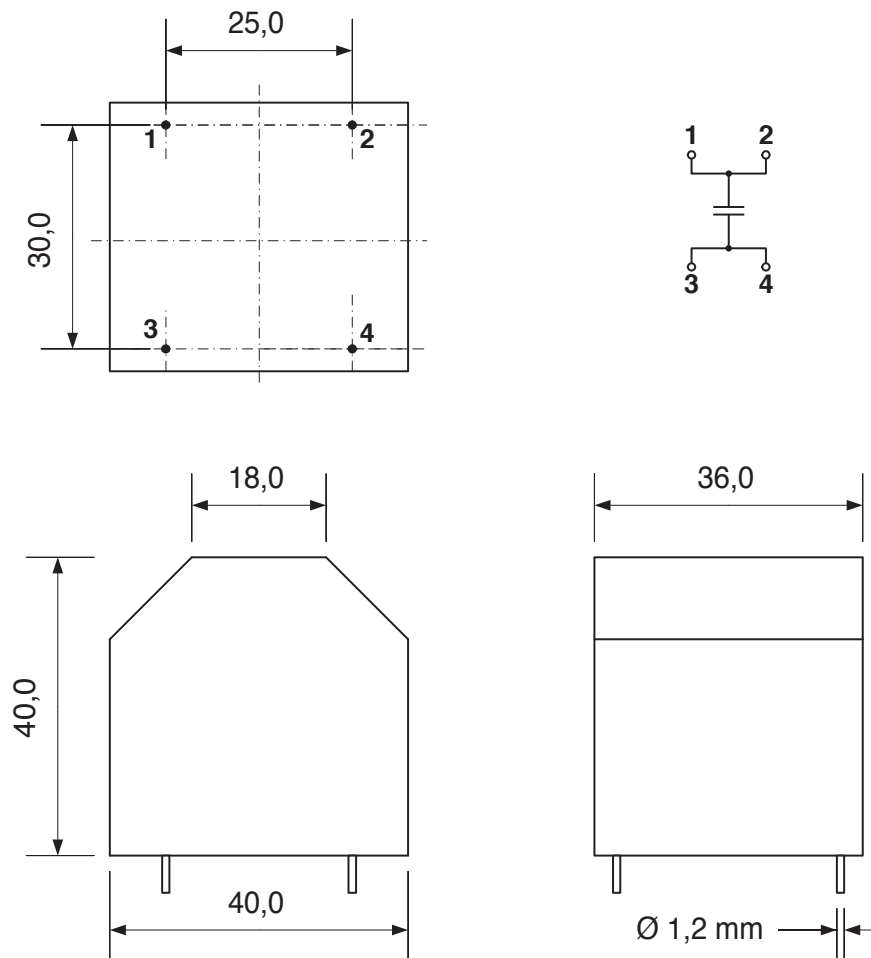
Technical Data Overview	
Capacitance range	4,2 µF ... 32 µF others on request
Rated voltage range DC	600 VDC ... 1700 VDC
Available tolerance	± 5 % (J) ± 10 % (K)
Rated RMS current @ 30 °C	max. 30 A _{RMS}
Operating temperature range	- 40°C ... + 85 °C
Climatic category DIN IEC 68/1	40/085/21
Terminals	PCB Pins, 4x 1,2mm, or press-fit contacts
Terminal length	3,5 - 25 mm

*Different voltages and capacitance combinations are available on request.
Also in small lots.*

ELECTRICAL DATA FOR SERIES CASTOR CAP

U_R [V _{DC}]	C_R [μ F]	Max. ESR @ 10 kHz [m Ω]	dU/dt [V/ μ s]	Max. I _{RMS} @ 10 kHz/30°C [A]	I _{Peak} [A]	Weight (approx) [g]	Part No. plus [...] = tol. and wire length
600	32	3,4	24	30	753	70	CC32 μ 600d...
700	25	4,1	26	30	656	70	CC25 μ 700d...
750	20	4,6	29	30	578	70	CC20 μ 750d...
900	17	4,8	32	30	549	70	CC17 μ 900d...
1000	13	5,5	37	30	481	70	CC13 μ 1000d...
1100	10	6	42	30	424	70	CC10 μ 1100d...
1200	8,5	6,8	46	30	389	70	CC8.5 μ 1200d...
1300	7,5	7,1	49	30	368	70	CC7.5 μ 1300d...
1400	6,5	7,4	55	28	354	70	CC6.5 μ 1400d...
1700	4,2	9,6	65	26	274	70	CC4.2 μ 1700d...

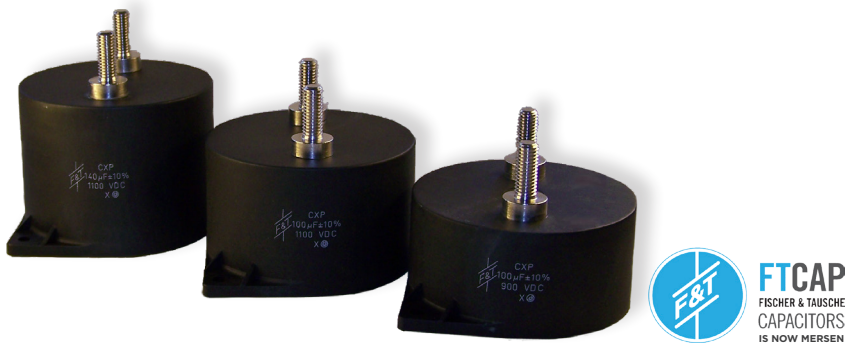
EXAMPLE OF DRAWINGS FOR SERIES CASTOR CAP



Coax Cap

FILM CAPACITORS

105°C



FEATURES & BENEFITS:

- Temperature range -40 °C to 105 °C
- Usable in high duty cycles with higher currents
- Optimized bottom side cooling by achieving plain bottom surface
- Self-healing PP dielectric
- Very low inductance

APPLICATIONS:

- High power
- Medium-high frequency
- Power electronics

APPROVALS:

- RoHS compliant
- REACH compliant

Technical Data Overview	
Capacitance range	20 µF ... 830 µF
Rated voltage range DC	600 VDC ... 1900 VDC
Available tolerance	± 5 % (J) ± 10 % (K)
Rated RMS current @ 30 °C	max. 100 A _{RMS}
Operating temperature range	- 40°C ... + 105 °C
Climatic category DIN IEC 68/1	40/105/21
Terminals	M6 female or M8 male, others on request
Inductance	<10,5 nH
Lifetime	200 000 h

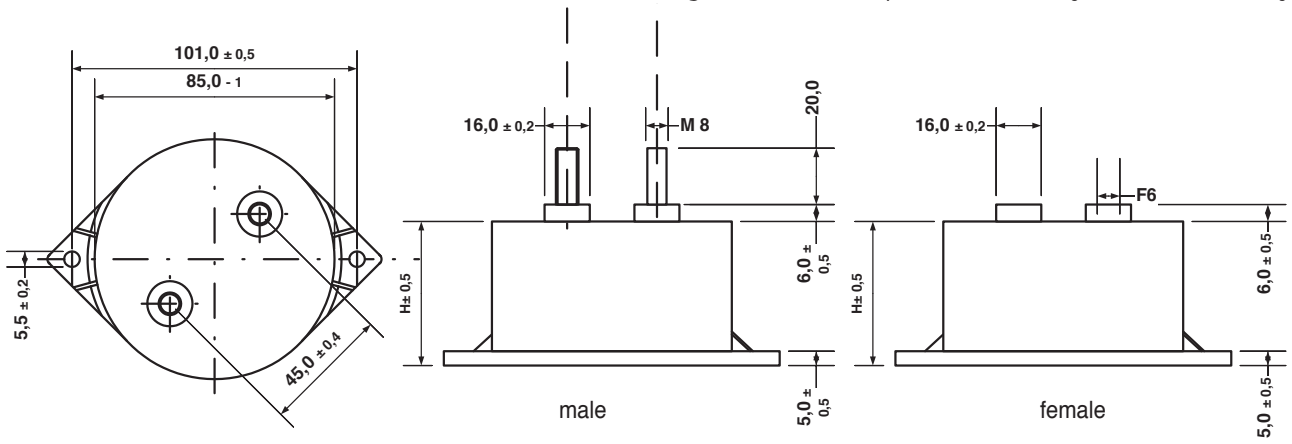
*Different voltages and capacitance combinations are available on request.
Also in small lots.*

ELECTRICAL DATA FOR SERIES COAX CAP

$U_{R\ DC}$	C_R	$U_{R\ AC}$	H	Max. ESR @ 10 kHz	dU/dt	Max. I_{RMS} @ 10 kHz 30°C	I_{Peak}	Energy	R_{th}	Weight (approx)	Part No. plus (...) = tol. and wire lenght
[V _{DC}]	[μF]	[V _{AC}]	[mm]	[mΩ]	[V/μs]	[A]	[kA]	[Ws]	[K/W]	[g]	
600	200	100	40	1	18,4	100	3,7	36	4,5	350	CX200μ600d40...
	300	100	51	1	22	100	3,7	54	4	410	CX300μ600d51...
	400	100	64	1	9,2	100	3,7	72	3,5	480	CX400μ600d64...
	600	100	76	1,3	7,2	100	4,3	108	3	560	CX600μ600d76...
	830	100	100	2,5	5,2	100	4,3	149	2,5	740	CX830μ600d100...
700	150	100	40	1,2	21,5	100	3,2	37	4,5	350	CX150μ700d40...
	220	100	51	1	14,7	100	3,2	54	4	410	CX220μ700d51...
	300	100	64	1	10,7	100	3,2	74	3,5	480	CX300μ700d64...
	425	100	76	1,4	8,5	100	3,6	104	3	560	CX425μ700d76...
	600	100	100	2,4	6,1	97	3,7	147	2,5	740	CX600μ700d100...
800	130	100	40	1	24	100	3,2	42	4,5	350	CX130μ800d40...
	180	100	51	1,2	17,9	100	3,2	58	4	410	CX180μ800d51...
	260	100	64	1,4	12,3	100	3,2	83	3,5	480	CX260μ800d64...
	340	100	76	1,6	9,7	100	3,3	109	3	560	CX340μ800d76...
	460	100	100	2,6	7	91	3,2	147	2,5	740	CX460μ800d100...
900	100	115	40	1,2	26,4	100	2,6	41	4,5	350	CX100μ900d40...
	150	115	51	1,2	20,2	100	3	61	4	410	CX150μ900d51...
	200	115	64	1,4	13,2	100	2,6	81	3,5	480	CX200μ900d64...
	260	115	76	1,8	11	98	2,8	105	3	560	CX260μ900d76...
	370	115	100	3	7,8	87	2,9	150	2,5	740	CX370μ900d100...
1000	85	125	40	1	30,7	100	2,6	43	4,5	350	CX85μ1000d40...
	120	125	51	1,3	21	100	2,5	60	4	410	CX120μ1000d51...
	170	125	64	2,5	15,3	91	2,6	85	3,5	480	CX170μ1000d64...
	210	125	76	2,6	12	86	2,5	105	3	560	CX210μ1000d76...
	300	125	100	3,2	8,7	83	2,6	150	2,5	740	CX300μ1000d100...
1100	65	150	40	1,2	33,7	100	2,2	39	4,5	350	CX65μ1100d40...
	100	150	51	1,2	23,7	100	2,3	61	4	410	CX100μ1100d51...
	140	150	64	1,5	17	100	2,3	85	3,5	480	CX140μ1100d64...
	175	150	76	2,2	13	91	2,3	106	3	560	CX175μ1100d76...
	240	150	100	3,5	9,7	78	2,3	145	2,5	740	CX240μ1100d100...
1200	55	200	40	1,3	39,6	100	2,2	40	4,5	350	CX55μ1200d40...
	85	200	51	2	26	100	2,2	61	4	410	CX85μ1200d51...
	115	200	64	2,5	18,8	84	2,1	83	3,5	480	CX115μ1200d64...
	150	200	76	2,8	15	80	2,2	108	3	560	CX150μ1200d76...
	200	200	100	3,8	11	75	2,1	144	2,5	740	CX200μ1200d100...
1400	40	200	40	1,8	45	94	1,8	39	4,5	350	CX40μ1400d40...
	60	200	51	2	30	90	1,8	59	4	410	CX60μ1400d51...
	85	200	64	2,4	22	85	1,9	83	3,5	480	CX85μ1400d64...
	110	200	76	3,4	17	80	1,9	108	3	560	CX110μ1400d76...
	150	200	100	4,5	12	70	1,9	147	2,5	740	CX150μ1400d100...
1900	20	200	40	2,8	64	72	1,3	36	4,5	350	CX20μ1900d40...
	32	200	51	3,3	42	70	1,3	58	4	410	CX32μ1900d51...
	45	200	64	3,5	30,5	74	1,4	81	3,5	480	CX45μ1900d64...
	55	200	76	4,5	24	62	1,4	99	3	560	CX55μ1900d76...
	80	200	100	5,5	17	60	1,3	144	2,5	740	CX80μ1900d100...

EXAMPLE OF DRAWINGS FOR SERIES COAX CAP

Mixed high terminals are possible for easy busbar assembly



Energy Cap

FILM CAPACITORS

85°C



FEATURES & BENEFITS:

- Low inductance
- Aluminium case
- Stud mounting
- Robust design
- Long lifetime,
- Self-healing PP dielectric

APPLICATIONS:

- Laser
- Industrial
- High voltage power supplies
- Baggage scanners
- Railway

APPROVALS:

- RoHS compliant
- REACH compliant

Technical Data Overview	
Capacitance range	200 µF ... 3300 µF others on request
Rated voltage DC	700 VDC ... 1500 VDC others on request
Available tolerance	± 5 % [J] ± 10 % [K]
Rated RMS current	up to 100 A _{RMS}
Operating temperature range	-40 °C ... +85 °C
Climatic category DIN IEC 68/1	40/085/21
Terminals	M5, M6 or M8 female, or M8 male]
Lifetime	> 200 000 h
Self inductance	< 30 - 60 nH
Standard	DIN EN 61071

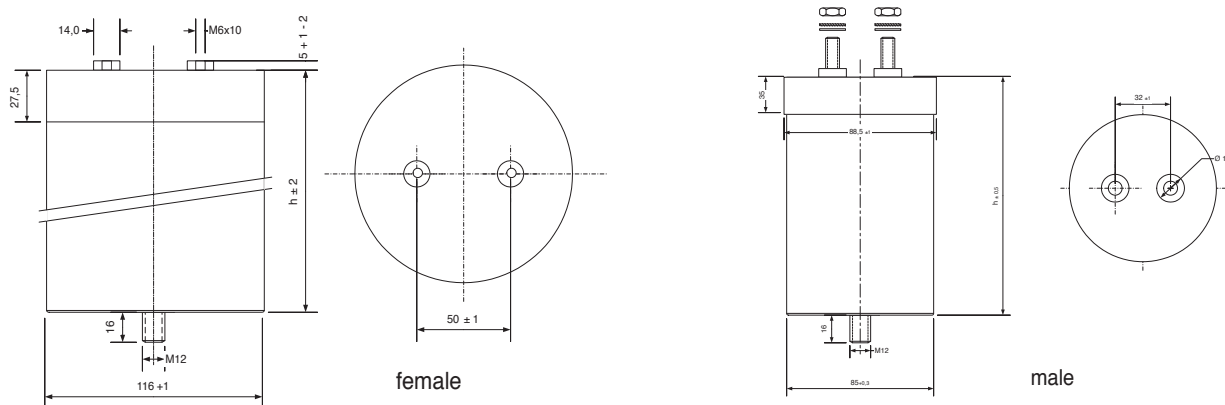
Different terminals, case sizes, voltages and capacitance combinations are available on request. Also in small lots.

ELECTRICAL DATA FOR SERIES ENERGY CAP

U _{R DC} [V _{DC}]	C _R [μF]	∅ [mm]	Height [mm]	Max. ESR @1kHz [mΩ]	dU/dt [V/μs]	Max. I _{RMS} @1 kHz 30°C [A]	I _{Peak} [kA]	Energy [Ws]	R _{th} [K/W]	Weight (approx) [kg]	Part No. plus [...] = tol. and terminals
700	850	85	136	4	4,3	64	3,7	208	2,2	1	EC850μ700d085136...
	1400	85	230	2	5,2	100	7,3	343	1,4	1,7	EC1400μ700d085230...
	1500	116	136	2,6	4,3	64	6,5	368	1,4	1,8	EC1500μ700d116136...
	1700	116	165	1	8	100	14	417	1,3	2,3	EC1700μ700d116165...
	2100	116	200	1,3	6,3	100	13	515	1,1	2,6	EC2100μ700d116200...
	2600	116	230	0,8	7,6	100	20	637	1	3,1	EC2600μ700d116230...
	3300	116	295	1	6,3	100	21	809	0,8	3,4	EC3300μ700d116295...
900	550	85	136	4,5	5,6	64	3	223	2,2	1	EC550μ900d085136...
	920	85	230	2,2	13	100	12	373	1,4	1,7	EC920μ900d085230...
	1000	116	136	3	11	64	11	405	1,4	1,8	EC1000μ900d116136...
	1150	116	165	1,2	10	100	12	466	1,3	2,3	EC1150μ900d116165...
	1500	116	200	1,3	8	100	12	608	1,1	2,6	EC1500μ900d116200...
	1700	116	230	0,8	9,8	100	17	689	1	3,1	EC1700μ900d116230...
	2200	116	295	1	8	100	18	891	0,8	3,4	EC2200μ900d116295...
1100	420	85	136	4	5,9	64	2,5	254	2,2	1	EC420μ1100d085136...
	610	85	230	2,5	8,3	100	5	369	1,4	1,7	EC610μ1100d085230...
	680	116	136	3,5	6,8	64	4,6	411	1,4	1,8	EC680μ1100d116136...
	770	116	165	1,4	12	100	9,5	466	1,3	2,3	EC770μ1100d116165...
	1000	116	200	1,5	9,2	100	9,2	605	1,1	2,6	EC1000μ1100d116200...
	1150	116	230	1	12	100	14	696	1	3,1	EC1150μ1100d116230...
	1400	116	295	1,2	9,5	100	13	847	0,8	3,4	EC1400μ1100d116295...
1300	260	85	136	6,5	8,1	64	2,1	220	2,2	1	EC260μ1300d085136...
	430	85	230	3	9,8	100	4,2	363	1,4	1,7	EC430μ1300d085230...
	480	116	136	4	8,1	64	3,9	406	1,4	1,8	EC480μ1300d116136...
	540	116	165	1,4	15	100	8	456	1,3	2,3	EC540μ1300d116165...
	670	116	200	1,7	12	100	7,5	566	1,1	2,6	EC670μ1300d116200...
	820	116	230	1	14	100	12	693	1	3,1	EC820μ1300d116230...
	1000	116	295	1,2	12	100	12	845	0,8	3,4	EC1000μ1300d116295...
1500	190	85	136	8	9,3	64	1,7	214	2,2	1	EC190μ1500d085136...
	320	85	230	3,5	11	100	3,5	360	1,4	1,7	EC320μ1500d085230...
	360	116	136	4,5	9,3	64	3,3	405	1,4	1,8	EC360μ1500d116136...
	400	116	165	1,5	17	100	6,8	450	1,3	2,3	EC400μ1500d116165...
	500	116	200	1,8	13	100	6,7	563	1,1	2,6	EC500μ1500d116200...
	610	116	230	1,1	17	100	10	686	1	3,1	EC610μ1500d116230...
	750	116	295	1,5	13	100	10	844	0,8	3,4	EC750μ1500d116295...

EXAMPLE OF DRAWINGS FOR SERIES ENERGY CAP

Mixed high terminals are possible for easy busbar assembly



Fischer Link

FILM CAPACITORS

85°C



FEATURES & BENEFITS:

- Design of complete module according to the customers request
- Extremely low inductance through compact designs
- 10 % more capacity in the same volume
- Easy installation, easy replacement
- Corrosion-free terminal contacts
- Sturdy and reliable component
- Very long lifetime because of direct connections to the busbar
- Self-healing PP dielectric

APPLICATIONS:

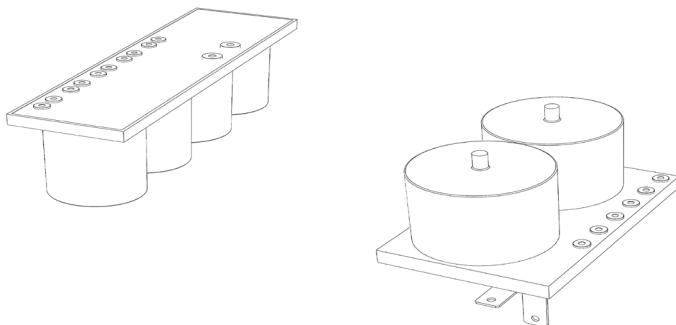
- Inverters
- High voltage power supplies
- Renewable energy

APPROVALS:

- RoHS compliant
- REACH compliant

Technical Data Overview	
Capacitance range	according to application
Rated voltage DC	700 - 1300 V
Available tolerance	$\pm 5 J, \pm 10 \% (K)$, others on request
Rated RMS current	up to 500 A _{RMS}
Operating ambient temperature range	- 40°C ... + 85 °C
Climatic category DIN IEC 68/1	40/085/21
Connectors	according to application
Lifetime	250 000 h
Inductance	< 9 nH

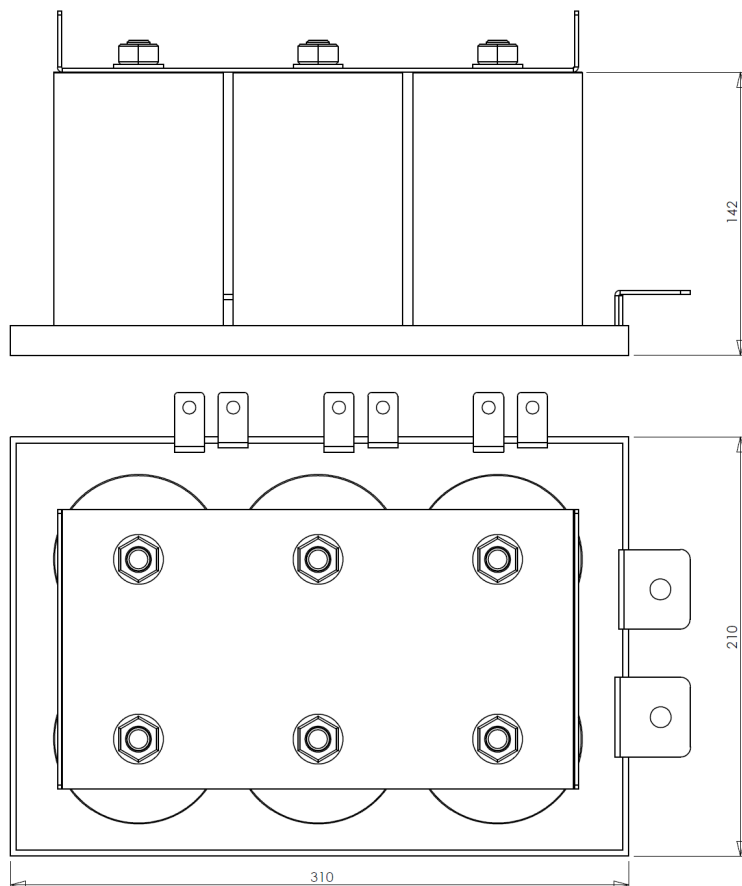
Different terminals, case sizes, voltages and capacitance combinations are available on request. Also in small lots.



ELECTRICAL DATA FOR SERIES FISCHERLINK

Units per assembly	700 V			900 V			1100 V			1300 V		
	C_R	I_{AC} @ 1kHz	dim.	C_R	I_{AC} @ 1kHz	dim.	C_R	I_{AC} @ 1kHz	dim.	C_R	I_{AC} @ 1kHz	dim.
	[μ F]	[A]	[mm] length width height	[μ F]	[A]	[mm] length width height	[μ F]	[A]	[mm] length width height	[μ F]	[A]	[mm] length width height
2	1700	132	200 100 150	1100	122	200 100 150	840	114	200 100 150	520	102	200 100 150
4	3400	364	200 200 150	2200	244	200 100 150	1680	228	200 100 150	1040	204	200 100 150
6	5100	396	300 200 150	3300	366	300 200 150	2520	342	300 200 150	1560	306	300 200 150
8	6800	528	400 200 150	4400	488	400 200 150	3360	456	400 200 150	2080	408	400 200 150
9	7650	594	300 300 150	4950	549	300 300 150	3780	513	300 300 150	2340	459	300 300 150

ELECTRICAL DATA FOR SERIES FISCHERLINK



© 2025 Mersen. All rights reserved. Mersen reserves the right to change, update, or correct, without notice, any information contained in this datasheet.

Power Box

FILM CAPACITORS

85°C



Technical Data Overview	
Capacitance range	2600 μ F ... 22800 μ F
Rated voltage DC	500 V - 1800 V, others on request
Rated current	up to 850 A
Available tolerance	\pm 10 %
Operating temperature range	- 40°C ... + 85 °C
Climatic category DIN IEC 68/1	40/085/21

Different terminals, case sizes, voltages and capacitance combinations are available on request. Also in small lots.

FEATURES & BENEFITS:

- Intermediate-circuit Film Capacitor
- Very high current
- Robust and compact design
- Customized design
- Low ESR
- Vibration proofed
- Self-healing PP dielectric

APPLICATIONS:

- DC-Link
- High voltage power supplies
- Drilling and mining machinery
- Traction and welding

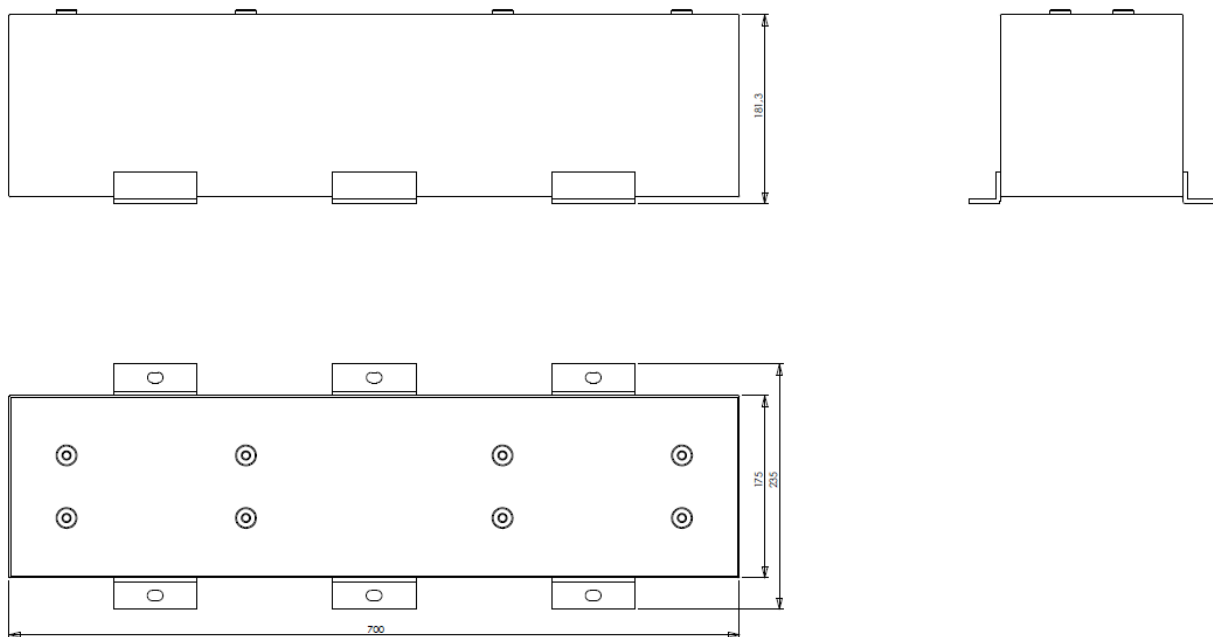
APPROVALS:

- RoHS compliant
- REACH compliant

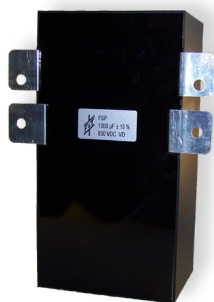
ELECTRICAL DATA FOR SERIES POWER BOX

U_R [DC]	C_R [μ F]	I_{Peak} [kA]	Energy [Ws]	I_{max} [A]
1800	2600	22,3	4212	500
1600	3200	24,4	4096	520
1400	4200	27,8	4116	560
1200	5800	33,0	4176	600
1100	6800	35,4	4114	620
1000	8200	38,6	4100	650
900	10200	43,2	4131	700
800	13000	48,9	4160	740
650	16800	55,3	3549	790
500	22800	64,4	2850	850

EXAMPLE OF DRAWINGS FOR SERIES POWER BOX



Intermediate-circuit Film Capacitor for direct busbar connection



Items	Characteristics
Capacitance	1000 μ F
Rated voltage DC	800 V
Available tolerance	$\pm 10 \%$
Rated RMS current	60 A _{RMS}
Pulse rise time	10,2 V/ μ s
Operating temperature range	-40 °C ... +70 °C
Climatic category DIN IEC 68/1	40/070/21

High voltage Film Capacitor with terminals on ceramic bushing



Items	Characteristics
Capacitance	0,1 μ F
Rated voltage DC	14 kV
Rated voltage AC	4,6 kV
Available tolerance	$\pm 10 \%$
Rated RMS current	8 A _{RMS}
Pulse rise time	1108 V/ μ s
Operating temperature range	-25 °C ... +85 °C
Climatic category DIN IEC 68/1	25/085/21

Intermediate-circuit Film Capacitor with robust and compact design



Items	Characteristics
Capacitance	1000 μ F
Rated voltage DC	1800 V
Available tolerance	$\pm 10 \%$
Rated RMS current	130 A _{RMS}
Pulse rise time	25 V/ μ s
Operating temperature range	-40 °C ... +70 °C
Climatic category DIN IEC 68/1	40/070/21

Film Capacitor for DC-link applications with mounting clamps for bottom side cooling



Items	Characteristics
Capacitance	550 µF
Rated voltage DC	1100 V
Available tolerance	± 10 %
Max. peak periodic current	3270 A
Pulse rise time	5,95 V/µs
Operating temperature range	-40 °C ... +85 °C
Climatic category DIN IEC 68/1	40/085/21

Film Capacitor for DC filters subject to high vibrations



Items	Characteristics
Capacitance	125 µF
Rated voltage DC	450 V
Available tolerance	± 5 %
Rated RMS current	24 A _{RMS}
Pulse rise time	5,22 V/µs
Operating temperature range	-25 °C ... +85 °C
Climatic category DIN IEC 68/1	25/085/21

Film Capacitors with internal temperature sensor and ring-form constructions



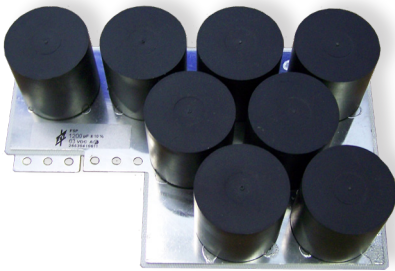
Items	Characteristics
Capacitance	140 µF
Rated voltage DC	400 V
Available tolerance	10 %
Operating temperature range	-40 °C ... +85 °C
Climatic category DIN IEC 68/1	40/085/21

High voltage Film Capacitor with low ESR and flat construction



Items	Characteristics
Capacitance	100 pF
Rated voltage DC	25 kV
Rated voltage AC	12 kV
Available tolerance	± 10 %
Operating temperature range	-25 °C ... +50 °C
Climatic category DIN IEC 68/1	25/050/21

Component assembly Film Capacitors



Items	Characteristics
Capacitance	1200 µF
Rated voltage DC	63 V
Available tolerance	± 10 %
Max. peak periodic current	9100 A
Pulse rise time	7,6 V/µs
Operating temperature range	-40 °C ... +85 °C
Climatic category DIN IEC 68/1	40/085/21

Very low inductive Film Capacitor for IGBT application



Items	Characteristics
Capacitance	1800 µF
Rated voltage DC	850 V
Available tolerance	± 10 %
Max. peak periodic current	14760 A
Pulse rise time	8,2 V/µs
Operating temperature range	-40 °C ... +85 °C
Climatic category DIN IEC 68/1	40/085/21