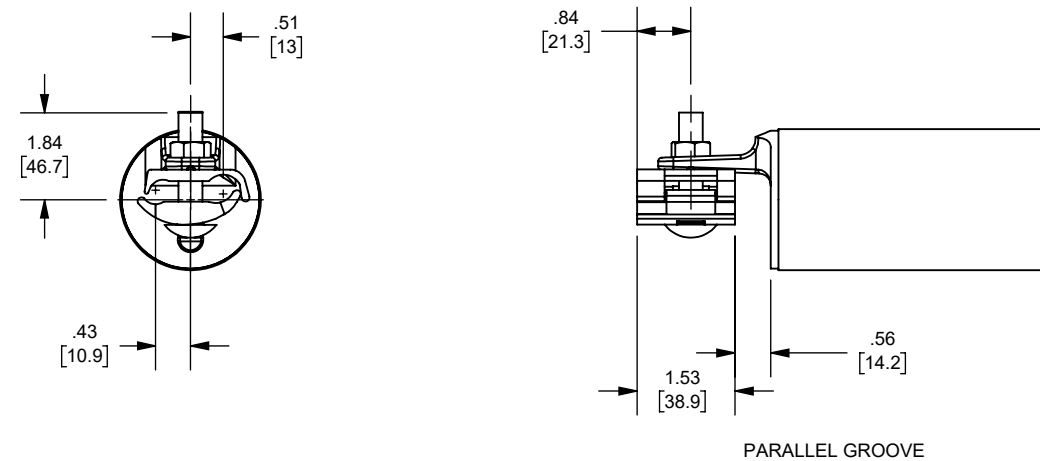
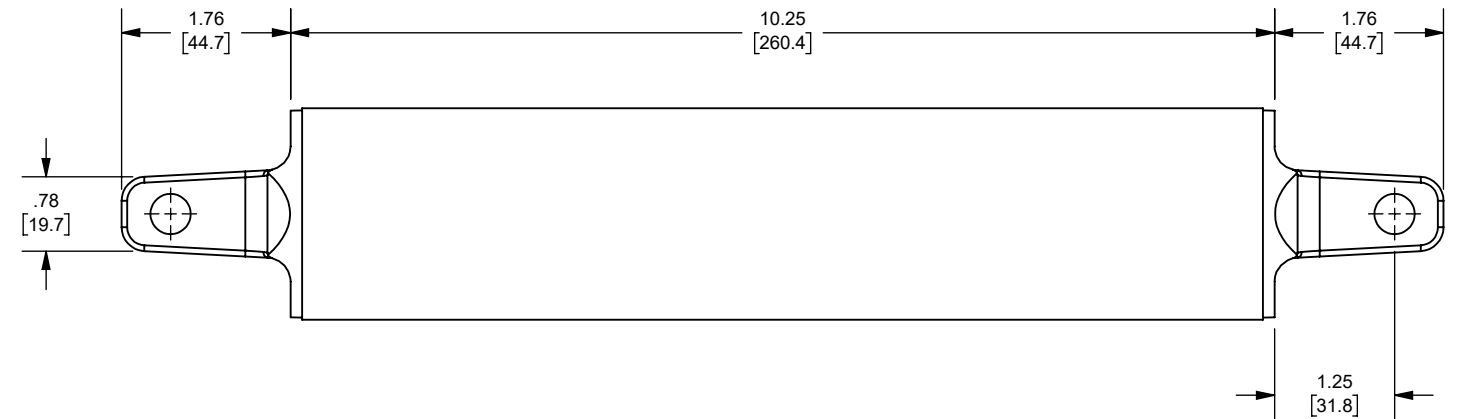
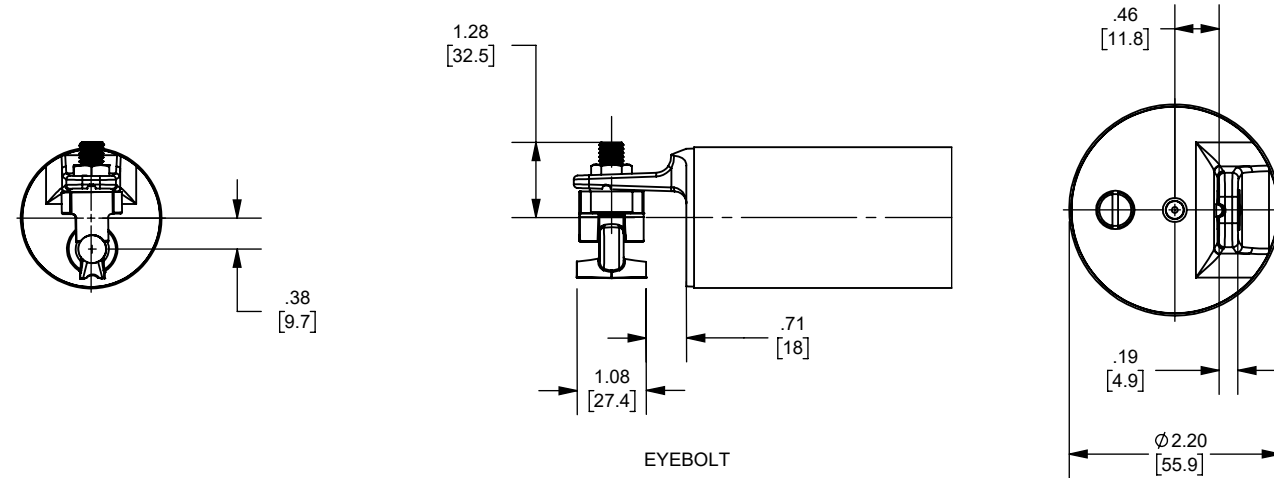
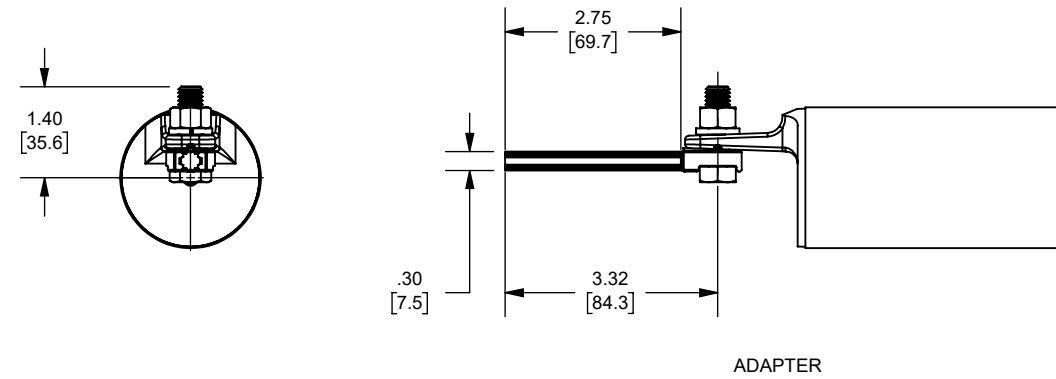


REV.	DATE	ECO	DESCRIPTION	BY	CK	APP
A	2/10/2025	N/A	INITIAL RELEASE	MRC	N/A	N/A
B	8/12/2025	19583	REMOVED NOTE "CABLE"	LA	N/A	SEE ECO



OUTLINE DIMENSIONS
NOT TO BE USED FOR PRODUCTION
DIMENSIONS IN [] ARE MILLIMETERS

Approval stage / Etat d'approbation: APPROUVÉ POUR FABRICATION / APPROVED FOR MANUFACTURING	Product Class:/ Product Type: ETP	BACK-UP CURRENT LIMITING FUSE	
Initial ECO / ECO initiale: ECO-2024.182-000	Product amp rating:/ Voltage rating: 15T OR 25K & 25T OR 40K & 8T OR 12K	8.3-15.5kV	
Draw by / Dessiné par: Luis ARMENTA	Date: 8/28/2025	Title / Titre: OUTLINE	Weight / Masse:
Checked by / Vérifié par: Yadyra Fang	Date: 8/28/2025	Drawing / de dessin: OUT-1215463	Rev / Rév: B
Electrical Power 374 MERRIMAC STREET NEWBURYPORT, MA 01950	Éch / Scale: 1:4 Format / Size: B	Part / Article: SEE TABLE	Page: 1/1

CATALOG NUMBER WO/ HARDWARE	CATALOG NUMBER W/ ETP ADAPTER	CATALOG NUMBER W/ ETP EYEBOLT	CATALOG NUMBER W/ ETP PARALLEL GROOVE	CATALOG NUMBER W/ ADAPTER & EYEBOLT	CATALOG NUMBER W/ ADAPTER & PARALLEL GROOVE	CATALOG NUMBER W/ EYEBOLT & PARALLEL GROOVE
-	-	9F59UBD271	9F59UBD281	-	-	-
9F59UBD201	9F59UBD211	9F59UBD221	9F59UBD231	9F59UBD241	9F59UBD251	9F59UBD261
-	-	9F59UBC274	9F59UBC284	-	-	-
9F59UBC204	9F59UBC214	9F59UBC224	9F59UBC234	9F59UBC244	9F59UBC254	9F59UBC264
-	-	9F59UBC272	9F59UBC282	-	-	-
9F59UBC202	9F59UBC212	9F59UBC222	9F59UBC232	9F59UBC242	9F59UBC252	9F59UBC262

Ce plan strictement confidentiel est la propriété exclusive de la société MERSEN sans l'autorisation écrite de laquelle il ne peut être ni reproduit, ni copié, ni communiqué à des tiers.
This drawing and specifications there on is property of MERSEN and shall not be reproduced or copied or used in whole or in part as the base for manufacture or sale of item without written permission.

