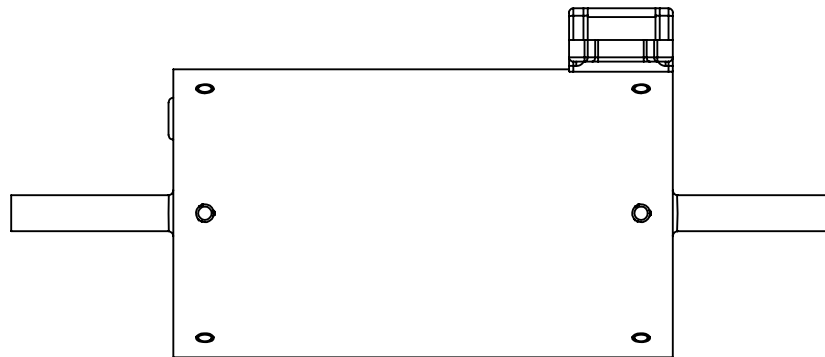
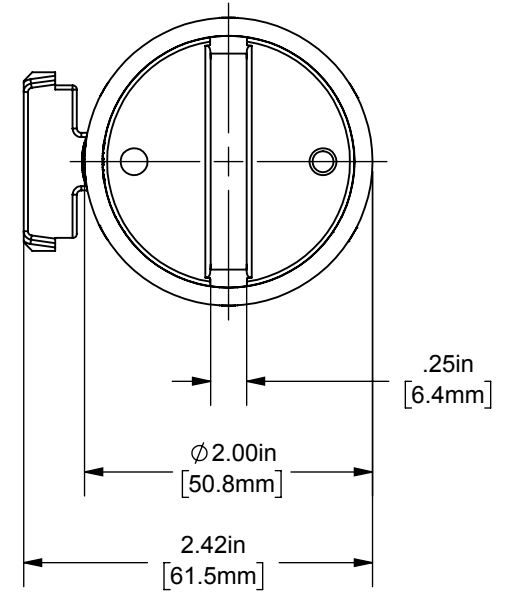
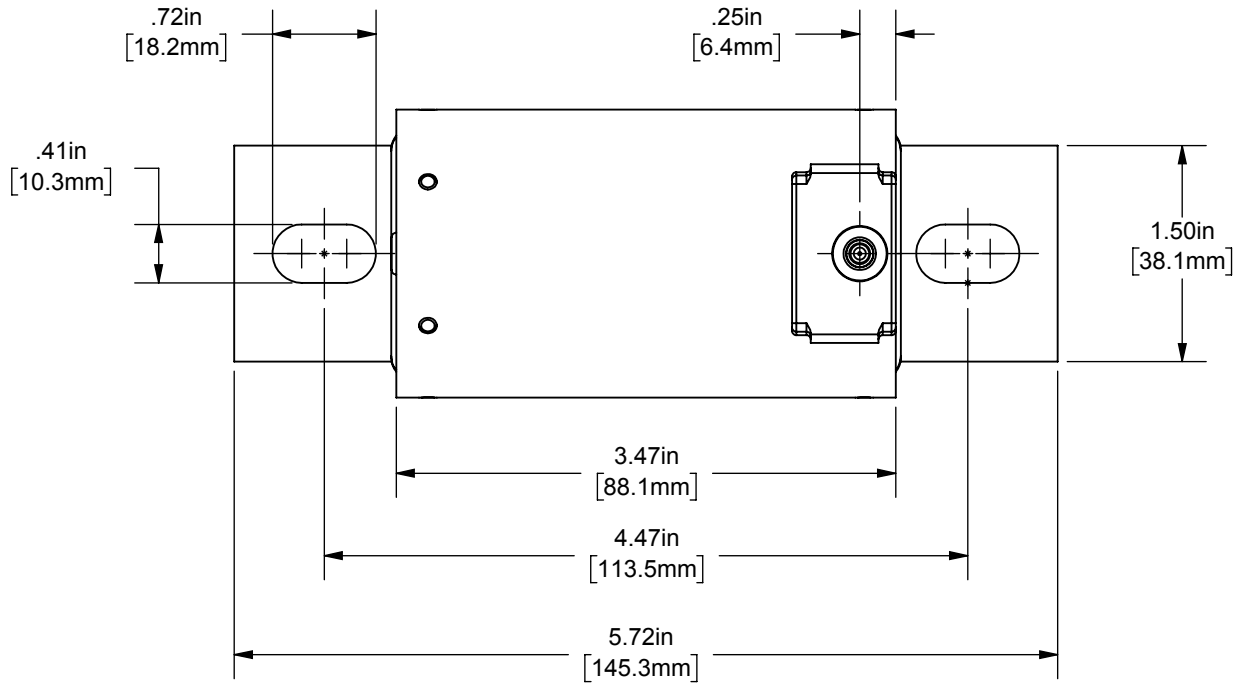


REV.	DATE	ECO	DESCRIPTION	BY	CK	APP
-	10-9-19	N/A	INITIAL RELEASE	LDB	N/A	N/A



DIMENSIONS IN [] ARE MILLIMETERS



MERSEN USA NEWBURYPORT-MA, LLC
374 MERRIMAC STREET
NEWBURYPORT, MA 01950

A100P(300-400)-4TA

FORM 101

300A-400A 1000V

OUTLINE DIMENSIONS
NOT TO BE USED FOR PRODUCTION

702287

PRODUCT MANAGER

SIGN:

DATE:

DESIGN ENGINEER

SIGN:

DATE: