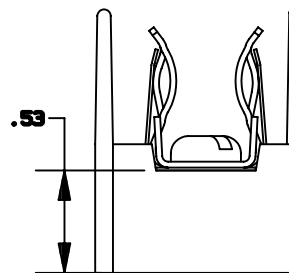
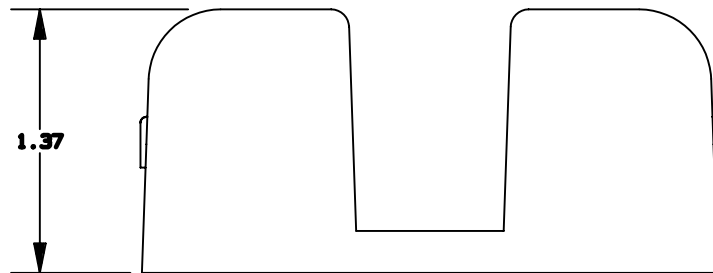
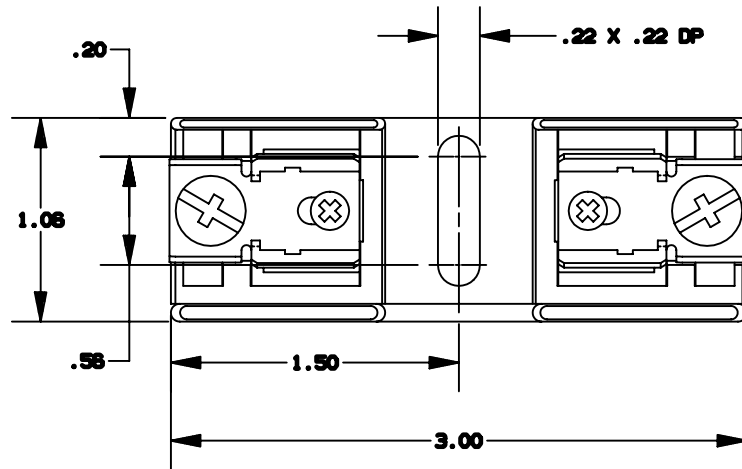


CONTROL No: _____

REV	DATE	ECO	DESCRIPTION	BY	CK	APP
-	5-25-97	N/A	INIT RELEASE	KH	N/A	N/A



NOTE:

1. TOLERANCES $\pm .015$ UNLESS OTHERWISE SPECIFIED.
2. MATERIAL COMPOSITION AND RATING THERMOPLASTIC-125°C RTI.

P/N	CONN TYPE	RMS SYM RATING	TORQUE (IN-LBS)	WIRE		U/L		CSA
				°C	TYPE	FILE NO.	GUIDE NO.	REPORT NO.
70316	SCREW	200K	20	60/75	CU ONLY	E52283	IZLT2	LR32169

Ferraz Shawmut
 FERRAZ SHAWMUT INC.
 374 MERRIMAC STREET
 NEWBURYPORT, MA 01950

PRODUCT MANAGER

DESIGN ENGINEER

SIGN:
DATE:

SIGN:
DATE:

FUSE BLOCK, 750V-30A 1 POLE

OUTLINE DIMENSIONS
NOT TO BE USED FOR PRODUCTION

700286