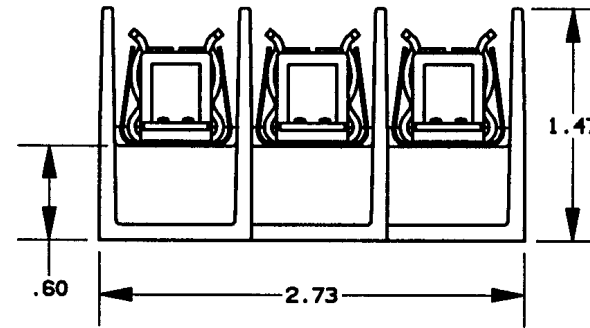
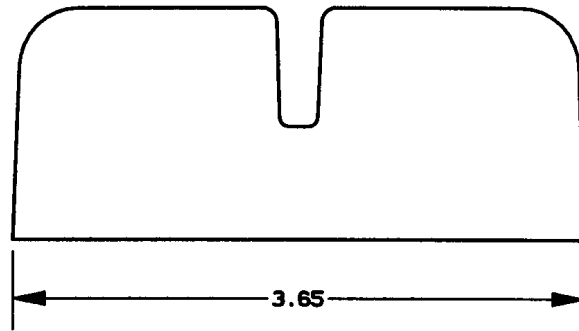
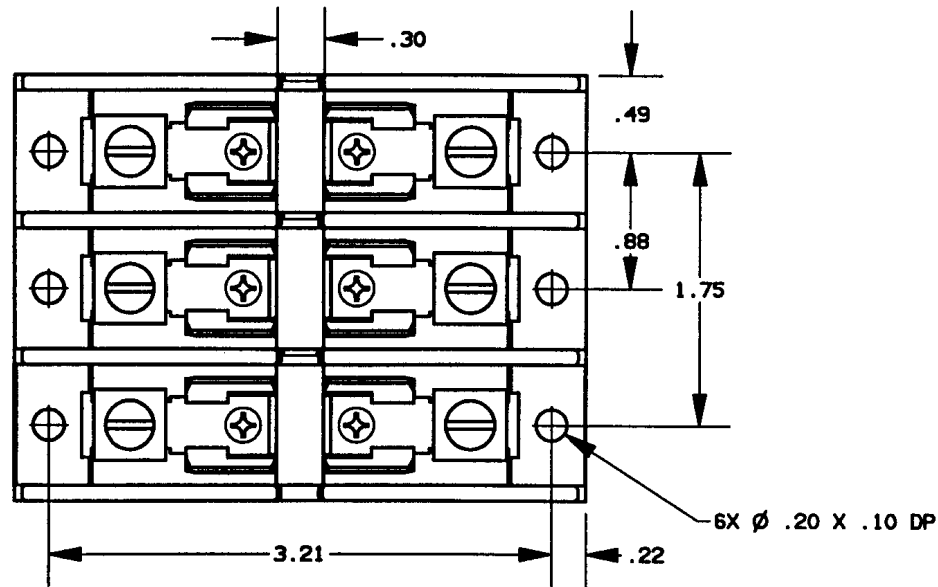


REV	DATE	ECO	DESCRIPTION	BY	CK	APP
-	26AUG97	N/A	INITIAL RELEASE	PRR	N/A	N/A



P/N	CONN TYPE	RMS SYM RATING	TORQUE (IN-LBS)	WIRE		U/L		CSA
				°C	TYPE	FILE NO.	GUIDE NO.	REPORT NO.
30658T	CU BOX	200K	45	60/75	CU ONLY	E52283	IZLT	LR32169

- NOTES:
1. TOLERANCES ±.015 UNLESS OTHERWISE SPECIFIED.
 2. MATERIAL COMPOSITION AND RATING THERMOPLASTIC-125°C RTI.

GOULD 374 MERRIMAC STREET
NEWBURYPORT, MA 01950

**FUSE BLOCK, 300V-60A, 3 POLE
CLASS T**

OUTLINE DIMENSIONS
NOT TO BE USED FOR PRODUCTION

PRODUCT MANAGER
SIGN: *Michael Zula*
DATE: 9-15-97

DESIGN ENGINEER
SIGN: *Steve M. Boyer*
DATE: 9/12/97

700221