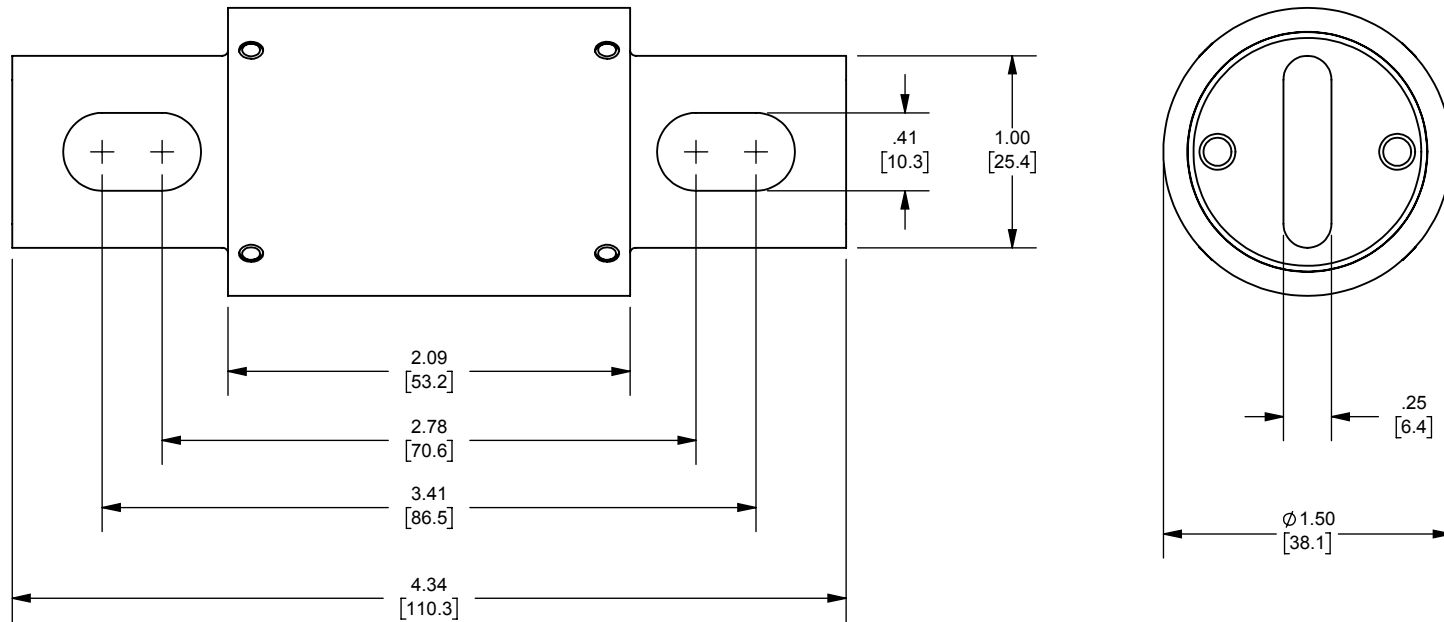


REV.	DATE	ECO	DESCRIPTION	BY	CK	APP
A	8/1/2016	N/A	REDRAWN; UPDATE TO CURRENT STDS & SHOW RADIUS ON BLADES	GDR	N/A	N/A



DIMENSIONS IN [ ] ARE MILLIMETERS



MERSEN USA NEWBURYPORT-MA, LLC  
374 MERRIMAC STREET  
NEWBURYPORT, MA 01950

FORM 101

A50QS(225-400)-4

225-400A 500V

OUTLINE DIMENSIONS  
NOT TO BE USED FOR PRODUCTION

24349

PRODUCT MANAGER

SIGN: B.KIRKORIAN

DATE: 8/2/16

DESIGN ENGINEER

SIGN: S.MOODY

DATE: 8/2/16