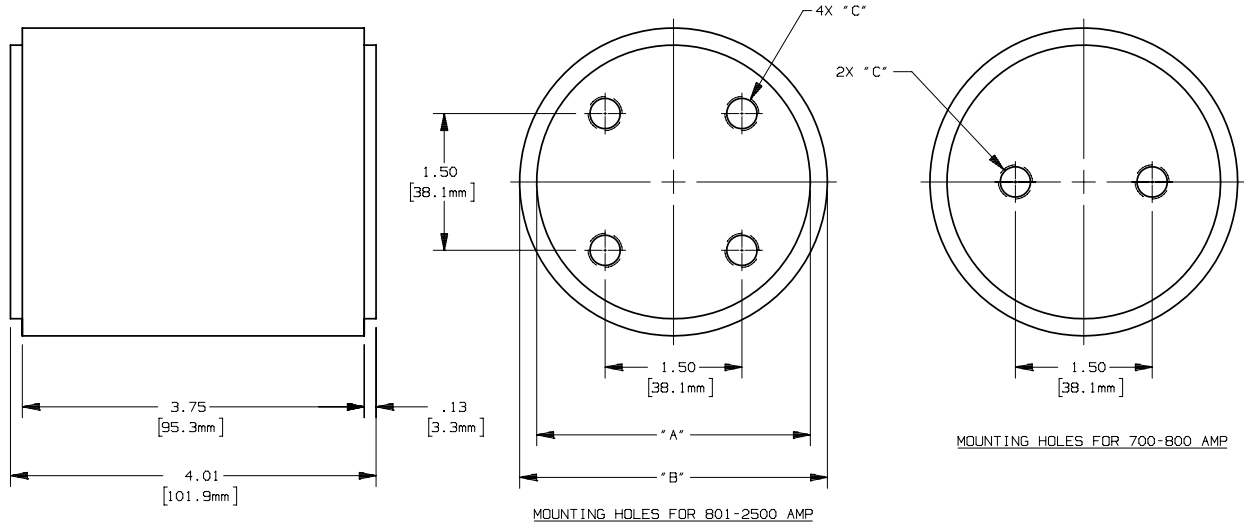


REV	DATE	ECO	DESCRIPTION	BY	CK	APP
E	2/15/05	NA	"B" DIM: 4.38 WAS 4.50 & 2.88 WAS 3.00	ELO	NA	NA



A60X OR Z(1201-2500)-128 OR 128A	3.75[95.3mm]	4.38[111.1mm]	∅ .500-20 X ∇ .50
A60X OR Z(801-1200)-128 OR 128A	3.00[76.2mm]	3.38[85.7mm]	∅ .375-24 X ∇ .50
A60X OR Z(700-800)-128 OR 128A	2.50[63.5mm]	2.88[73.0mm]	∅ .375-24 X ∇ .50
CATALOG NUMBER	A BLOCK DIA.	B TUBE DIA.	C THREADED HOLES

	MERSEN USA NEWBURYPORT-MA, LLC 374 MERRIMAC STREET NEWBURYPORT, MA 01950	A60X OR Z(700-2500)-128 OR 128A FORM 1010 700-2500A 600V	OUTLINE DIMENSIONS NOT TO BE USED FOR PRODUCTION <div style="font-size: 2em; font-family: monospace; text-align: center;">16130</div>
	PRODUCT MANAGER SIGN: DATE:	DESIGN ENGINEER SIGN: DATE:	