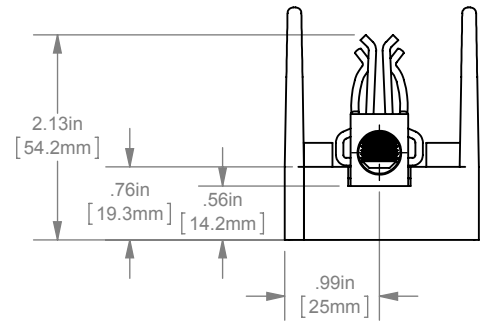
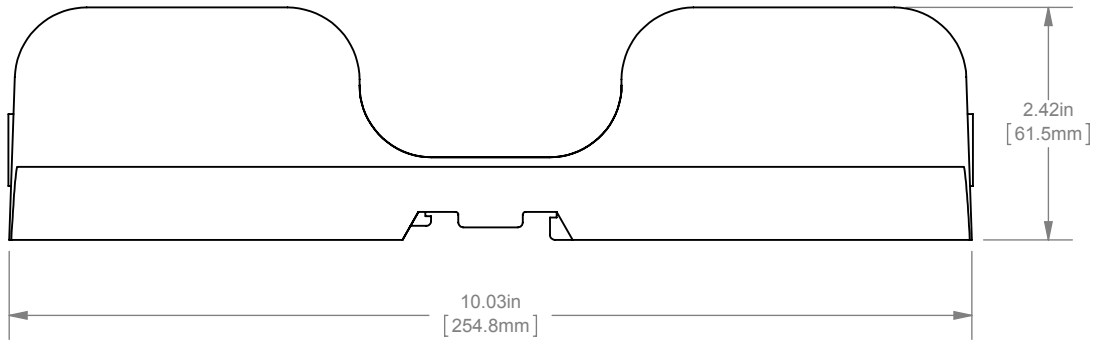
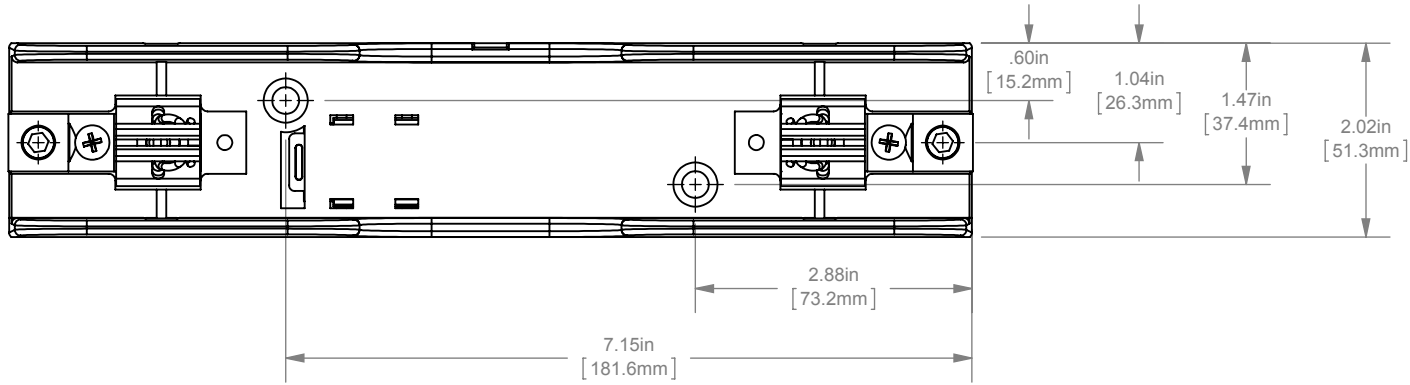


REV.	DATE	ECO	DESCRIPTION	BY	CK	APP
A	1/16/2014	N/A	REDRAWN IN SOLIDWORKS	GDR	N/A	N/A



DIMENSIONS IN [] ARE MILLIMETERS



MERSEN USA NEWBURYPORT-MA, LLC
374 MERRIMAC STREET
NEWBURYPORT, MA 01950

61006(R), 61036(R)
FUSE BLOCK, 1P CLASS HKR
100A 600V

OUTLINE DIMENSIONS
NOT TO BE USED FOR PRODUCTION

05C0225

PRODUCT MANAGER
SIGN:
DATE:

DESIGN ENGINEER
SIGN:
DATE: (SEE ECO)