

Modulostar® CUSCC

FUSE HOLDERS, FUSE BASES AND SUPPORTS

UL/CSA FUSE HOLDERS



Mersen’s innovative Modulostar CUSCC fuse holders are finger-safe under IEC standards to an IP20 grade of protection, including fuse changing (with the flick of a finger). Modulostar CUSCC fuse holders are available in 1, 2, 3 or 4 poles, with or without visual blown fuse indicator, in UL + IEC version. Multi-pole units can also be field assembled by ordering pin-ties assembly kit. Made of tough and durable thermoplastic or thermoset material. Recommended for use with Mersen Class CC fuse-links: ATDR, ATMR, and ATQR.

TECHNICAL DATA OVERVIEW

UL ratings AC	600 VAC, 30 A, 200 kA
UL ratings DC	600 VDC, 30 A, 100 kA
Amper (A)	30 A
SCCR	200kAAC
Mounting	Installation on to DIN rails to EN 60715
Product Size	For Class CC fuses
Number of poles	1-pole, 2-poles, 3-poles, 4-poles, 1+N, 3+N

FEATURES & BENEFITS

- Modular design
- Compact design for space saving
- DIN rail mounting
- Degree of protection: IP20
- Finger safe
- Easy access to the fuse
- Lockable without accessory
- Sealable in closed & open position
- Optional visual blown fuse indicator
- Multi-pole assembly kit available
- Plastic material UL94V2 mini
- Plastic material R22HL2 for railway application
- Flame retardant materials with glow wire flammability index to 960°C

APPLICATIONS

- All circuits up to 600V for protection of motors, transformers, low voltage distribution, control circuits, drive protection
- Non-load operation

STANDARDS

- UL listed UL4248 E52283
- CSA Certified C22.2
- RoHS, Reach compliant



PRODUCT RANGE



CUSCC1

Modulostar CUSCC without indicator

Catalog number	Item number	Number of poles/phases	Design	Package	Weight
CUSCC1	N1062796	1	CUSCC single pole	12	45 g
CUSCC1N	J1062792	1 + N	CUSCC single pole + neutral conductor	6	95 g
CUSCC2	K1062793	2	CUSCC double pole	6	92 g
CUSCC3	G1062790	3	CUSCC triple pole	4	0.14 kg
CUSCC3N	C1062786	3 + N	CUSCC triple pole + neutral conductor	3	0.19 kg
CUSCC4	D1062787	4	CUSCC quadruple pole	3	0.19 kg



CUSCC1I

Modulostar CUSCC with standard indicator

Catalog number	Item number	Number of poles/phases	Design	Voltage limit for blown fuse indicator	Package	Weight
CUSCC1I	P1062797	1	CUSCC single pole	-	12	46 g
CUSCC1NI	L1062794	1 + N	CUSCC single pole + neutral conductor	-	6	95 g
CUSCC2I	M1062795	2	CUSCC double pole	-	6	93 g
CUSCC3I	H1062791	3	CUSCC triple pole	-	4	0.14 kg
CUSCC3NI	E1062788	3 + N	CUSCC triple pole + neutral conductor	-	3	0.19 kg
CUSCC4I	F1062789	4	CUSCC quadruple pole	-	3	0.19 kg
-	on demand	-	Version with special indicator	Standard: 50V-700V AC/DC Very low: 20V-50V AC/DC	-	-

TECHNICAL DATA

	CUSCC without indicator	CUSCC with indicator
Size	Class CC fuse-links	Class CC fuse-links
Number of poles/phases	1, 1+N, 2, 3, 3+N, 4	1, 1+N, 2, 3, 3+N, 4
Conventional free air thermal current with fuse links I_{th}	30 A	30 A
Degree of protection	IP 20	IP 20
Voltage limit for blown fuse indicator	-	50 to 700V AC/DC
Indication System	without indicator	with indicator
Operating temperature	-40°C to 70°C with carrier operation -50°C to 90°C without carrier operation	
Storage temperature	-40°C to 70°C	-40°C to 70°C
Connection	Max. tightening torque: 2Nm (17.7lbs.-in) One Rigid / Multistrand wire = 1-16mm ² (18-6AWG) Two Multistrand wires = 6mm ² (18-10 AWG) Use 75°C Wire Cu Only PZ2 or flat 5.5x1mm screw drivers recommended (max. diameter 6mm)	

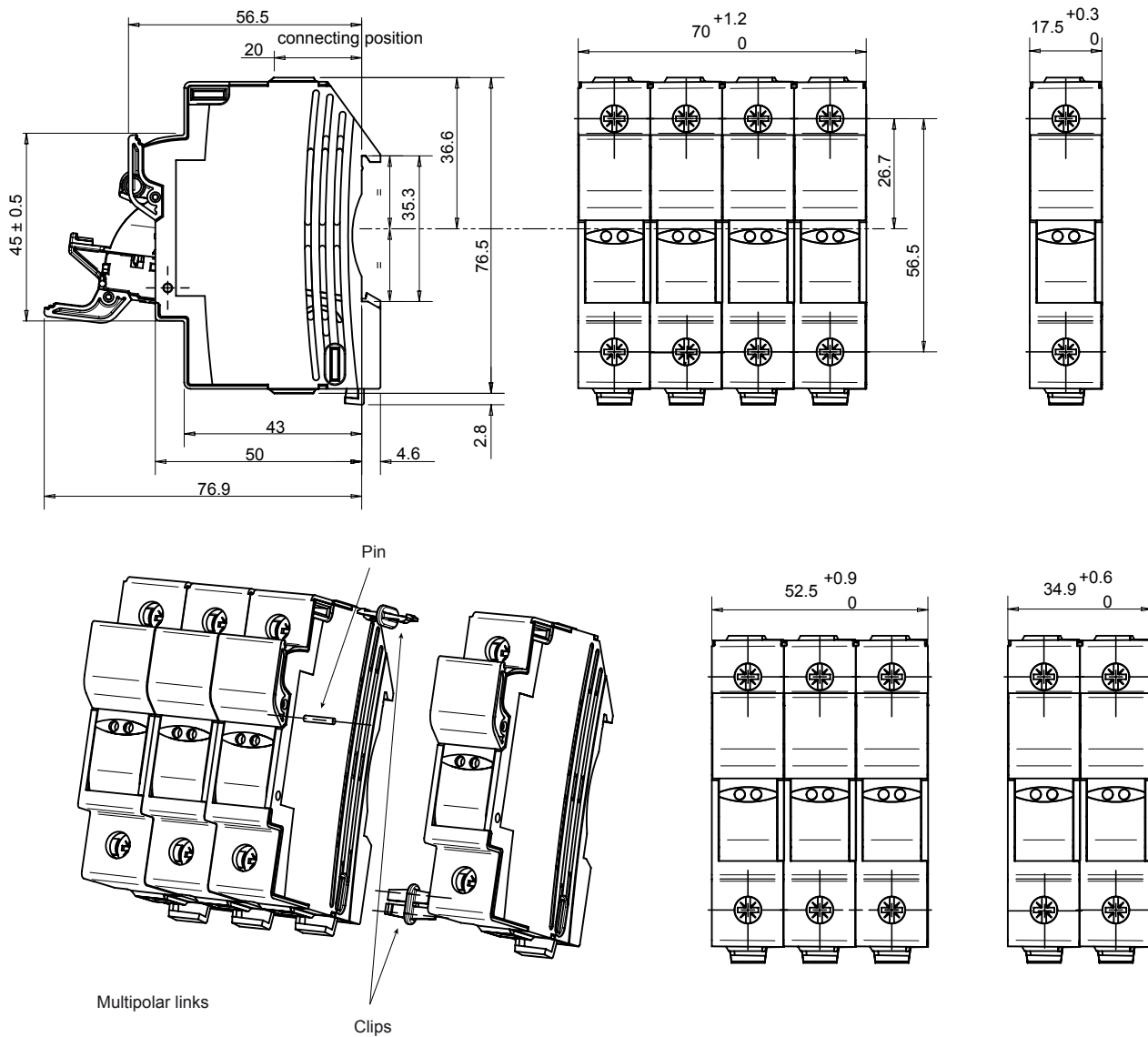
SPECIFIC USAGE CONDITIONS

Ambient temperature	-40° to 20°C	30°C	40°C	50°C	60°C	70°C	80°C	90°C
Derating factor (I_e)	1	1	1	0.92	0.83	0.73	0.62	0.48
Humidity	95%	90%	80%	50%	-	-	-	-
Dampness derating	1	0.95	0.90	-	-	-	-	-

No of poles (side by side)	1 to 3	>= 4
Derating factor of current (I_{th})	1	0.9

DIMENSIONS

MODULOSTAR® CUSCC fuse-holders for cylindrical fuse-links class 10x38mm



Dimensions in mm

ACCESSORIES



CMS810PAK

Kit for multi phase connection

Catalog number	Item number	Features	Package	Weight
CMS810PAK	Z233725	Links for connection of multipole units	12	0.5 g



LOCK

Locking devices

Catalog number	Item number	Features	Package	Weight
LOCK	M223525	Padlock	1	0.48 kg



USBBC1

Power supply

Catalog number	Application	Features	Package	Weight
USBBC1	115A / 1000V AC/DC	UL terminal up to 50mm / 1 AWG	10	23 g

Wiring bars / Insulated bus bars



USBB1PH25K12

Catalog number	Application	Features	Package	Weight
Wiring bars / Insulated Busbars				
USBB1PH25K12	1000V AC/DC IP20 Max current 100A	UL, 1-pol., Pin, 25mm ² , 12 modules, UL508	50	73 g
USBB2PH25K10	IEC 690VAC/DC UL 600V AC/DC IP20 Max current 100A	UL, 2-pol., Pin, 25mm ² , 10 modules, UL508	50	0.13 kg
USBB3PH25K12	IEC 690VAC/DC UL 600V AC/DC IP20 Max current 100A	UL, 3-pol., Pin, 25mm ² , 12 modules, UL508	50	0.20 kg