

Protistor® size 71 gR

450 to 600VDC

SEMICONDUCTOR PROTECTION FUSES

SQUARE BODY HIGH-SPEED FUSE-LINKS DC PROTECTION



These Protistor® fuse-links provide maximum flexibility in equipment design and ultimate protection for today's power conversion equipment. These square body fuse-links are available in different body sizes, each size having multiple worldwide acceptable mounting styles.

The Protistor® have been engineered to provide state-of-the-art protection for semiconductors: diodes, thyristors, GTO's and IGBT devices. Fuses are assembled with pure silver, die-cut elements embedded in solidified sand, which helps control arcing characteristics for a lower I^2t and high interrupting rating level. All contact surfaces are silver plated and all hardware is non-magnetic.

All fuse-links can be equipped with a low voltage trip-indicator which can operate a field mountable microswitch.

TECHNICAL DATA OVERVIEW

Voltage Range DC	450 ... 600 VDC
Ampere Range (A)	125 ... 450 A
Speed/Characteristic	gR
Product Size	71

FEATURES & BENEFITS

- Multiple body sizes and terminals or blades combination
- gR Class according to IEC 60269-4 and VDE 636-23
- Low I^2t for improved semiconductor protection
- Extremely fast acting
- Eliminate all overloads
- Excellent cycling capability

APPLICATIONS

- Protection of inverters, motor drives, UPS systems and similar 600V or less equipments.

STANDARDS

- IEC 60269-4 Compliance



Protistor® size 71 gR

450 to 600VDC

PRODUCT RANGE



D71GB55V400TF

Size 71 type TTF-with one ISO metric threaded hole

Catalog number	Item number	Rated voltage DC (IEC)	Rated voltage DC (UL)	Rated current I _n	Pre-arcing I ² t	Power dissipation at I _n	Package	Weight
D71GB60V125TF	Z302081	600 V	650 V	125 A	1058 A ² s	35 W	3	0.51 kg
D71GB60V160TF	A302082	600 V	650 V	160 A	2394 A ² s	38 W	3	0.51 kg
D71GB60V200TF	B302083	600 V	650 V	200 A	5000 A ² s	41 W	3	0.51 kg
D71GB60V250TF	C302084	600 V	650 V	250 A	9577 A ² s	46 W	3	0.51 kg
D71GB60V315TF	D302085	600 V	650 V	315 A	18432 A ² s	53 W	3	0.51 kg
D71GB60V350TF	E302086	600 V	650 V	350 A	23156 A ² s	58 W	3	0.51 kg
D71GB55V400TF	F302087	550 V	600 V	400 A	38309 A ² s	59 W	3	0.51 kg
D71GB45V450TF	S1006496	450 V	450 V	450 A	61671 A ² s	59 W	3	0.51 kg

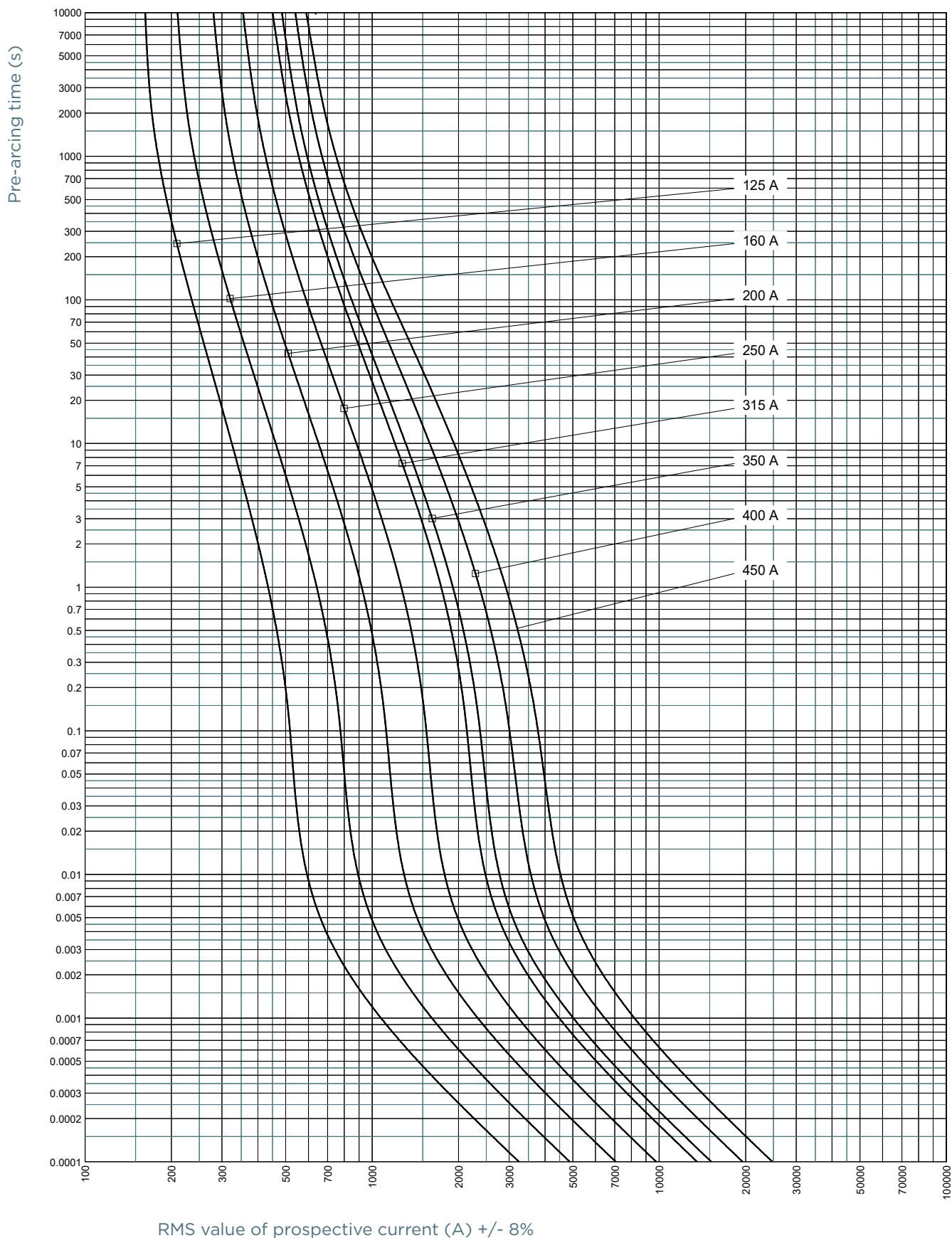


D71GB55V400EF

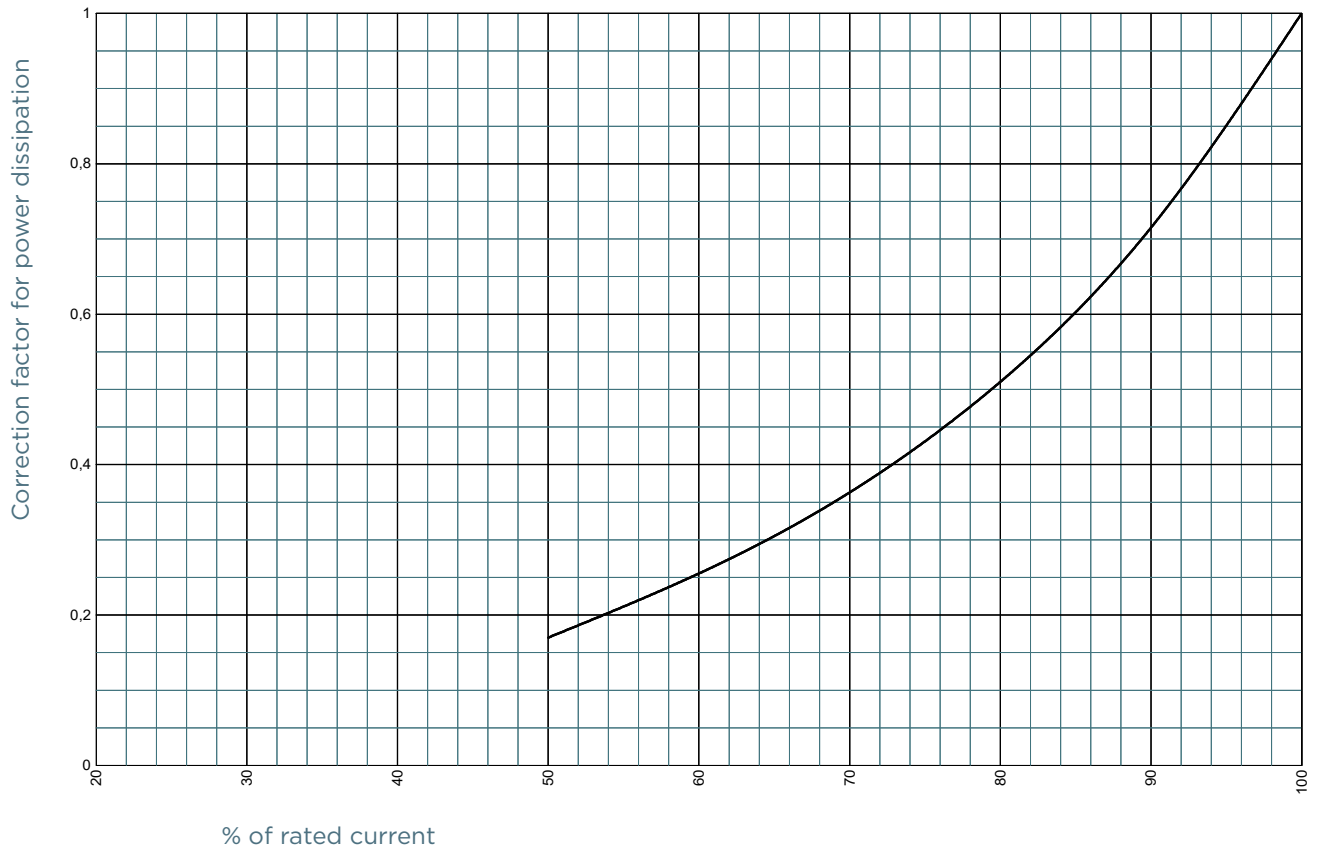
Size 71 EF style notched blade connections

Catalog number	Item number	Rated voltage DC (IEC)	Rated voltage DC (UL)	Rated current I _n	Pre-arcing I ² t	Power dissipation at I _n	Package	Weight
D71GB60V160EF	A302680	600 V	650 V	160 A	2394 A ² s	38 W	3	0.54 kg
D71GB60V200EF	D302706	600 V	650 V	200 A	5000 A ² s	42 W	3	0.54 kg
D71GB60V250EF	D302223	600 V	650 V	250 A	9577 A ² s	48 W	3	0.54 kg
D71GB60V315EF	D234143	600 V	650 V	315 A	18432 A ² s	54 W	3	0.54 kg
D71GB55V400EF	L302690	550 V	600 V	400 A	38309 A ² s	61 W	3	0.54 kg

TIME CURRENT CHARACTERISTIC CURVES

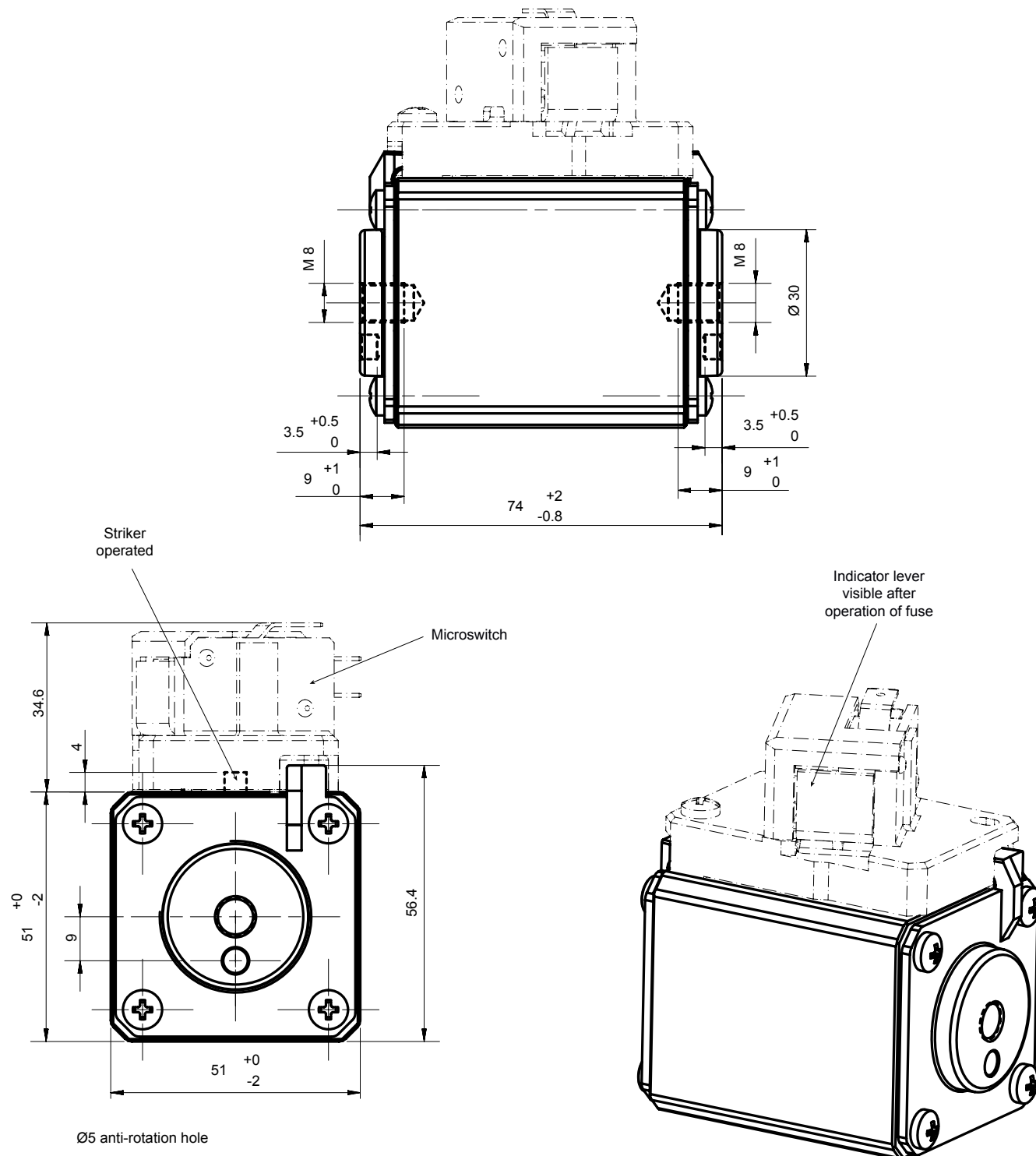


POWER DISSIPATION



DIMENSIONS

Size 71 type TTF-with one ISO metric threaded hole



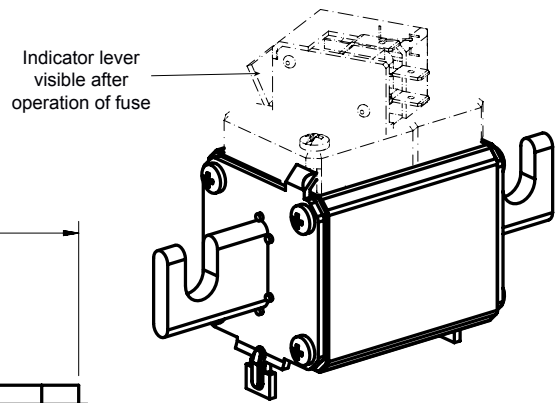
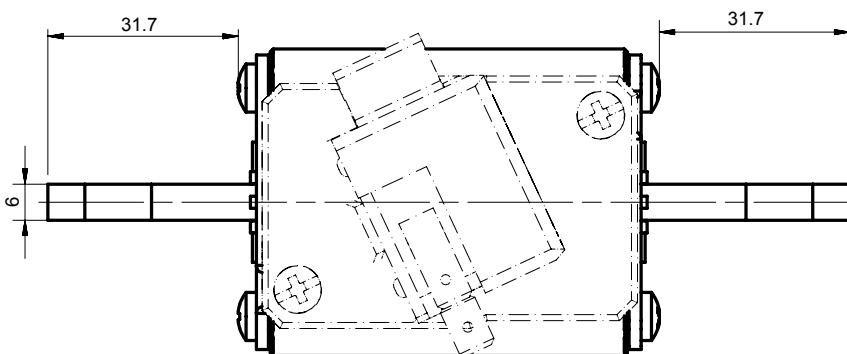
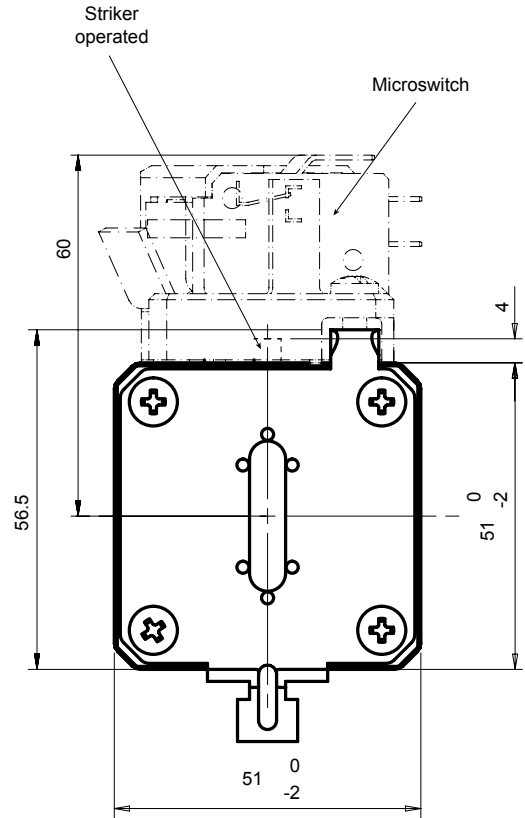
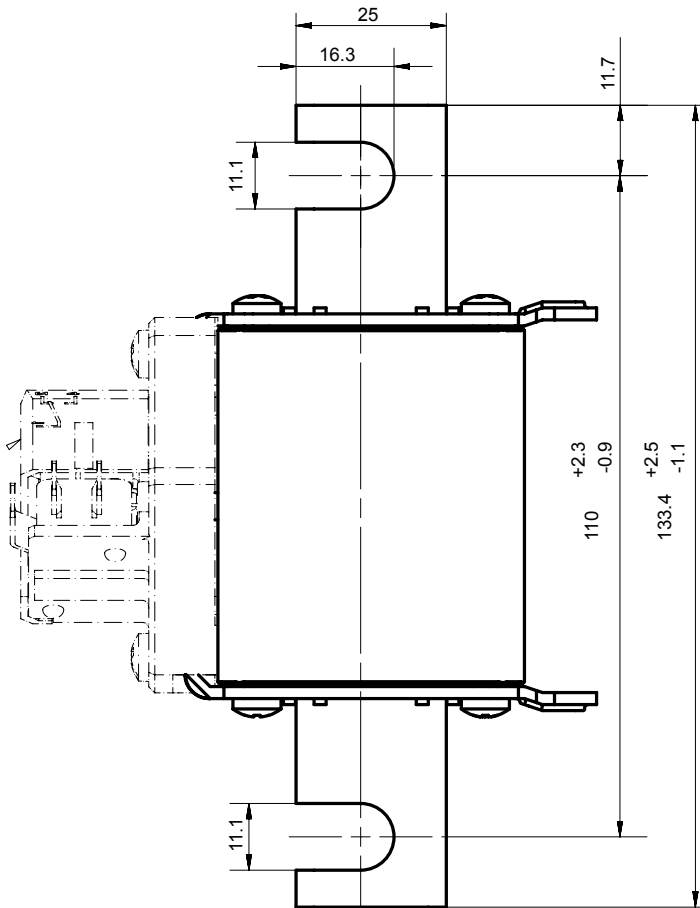
Dimensions in mm

Protistor® size 71 gR

450 to 600VDC

DIMENSIONS

Size 71 type TTF-with one ISO metric threaded hole



Dimensions in mm