

GPM Series

Panel Mount Fuse Holders

FUSE BLOCKS & HOLDERS



Mersen GPM panel mount fuse holders are in sizes to accommodate Class CC and midget (1-1/2" x 13/32") fuses. All 30A holders have PET insulators for extra dependability and trouble-free installation. Patented design allows same body to accept screw or bayonet knob. Flange design allows front or rear mounting.

CATALOG NUMBERS & DESCRIPTIONS

Catalog No.	Fig.	Cap Type	Amps	Volts	Fuse Type	Terminal Type
GPM-S	1	Screw Knob	30	600	1-1/2" x 13/32"	1/4" Quick-connect/Solder
GPM-S90	2	Screw Knob	30	600	1-1/2" x 13/32"	1/4" Quick-connect/Solder, Right Angle
GPM-SRR	1	Screw Knob	30	600	Class CC	1/4" Quick-connect/Solder
GPM-SRR90	2	Screw Knob	30	600	Class CC	1/4" Quick-connect/Solder, Right Angle
GPM-B	1	1/4 Turn Bayonet Knob	30	600	1-1/2" x 13/32"	1/4" Quick-connect/Solder
GPM-B90	2	1/4 Turn Bayonet Knob	30	600	1-1/2" x 13/32"	1/4" Quick-connect/Solder, Right Angle
GPM-BRR	1	1/4 Turn Bayonet Knob	30	600	Class CC	1/4" Quick-connect/Solder
GPM-BRR90	2	1/4 Turn Bayonet Knob	30	600	Class CC	1/4" Quick-connect/Solder, Right Angle
GPM-WT	1	Water-tight Screw Knob	30	600	1-1/2" x 13/32"	1/4" Quick-connect/Solder
GPM-WT90	2	Water-tight Screw Knob	30	600	1-1/2" x 13/32"	1/4" Quick-connect/Solder, Right Angle
GPM-WTR	1	Water-tight Screw Knob	30	600	Class CC	1/4" Quick-connect/Solder
GPM-WTR90	2	Water-tight Screw Knob	30	600	Class CC	1/4" Quick-connect/Solder, Right Angle

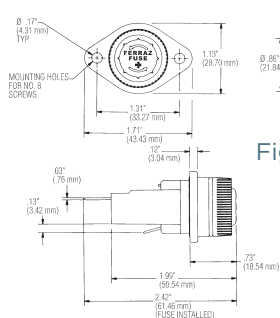


Figure 1

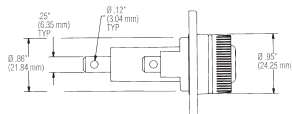
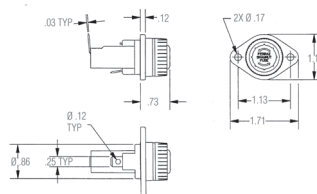


Figure 2



RATINGS:

- **Volts:** 600VAC / DC
- **Amps:** 30A Maximum
- **SCCR:** 200kA (Class CC Fuses); 100kA (Midget Fuses)

RECOMMENDED FUSE USAGE:

GPM Fuse Holders will accommodate these Mersen fuses:

GPM-SRR, GPM-BRR, GPM-WTR: ATQR, ATDR, ATMR,

GPM-SRR90, GPM-BRR90, GPM-WTR90: ATQR, ATDR, ATMR,

GPM-S, GPM-B, GPM-WT: ATQ, ATM, TRM, OTM, GGU, A13X-2, A25Z-2, A60Q-2, A6Y-2B, **GPM-S90, GPM-B90, GPM-WT90:** ATQ, ATM, TRM, OTM, GGU, A13X-2, A25Z-2, A60Q-2, A6Y-2B

APPROVALS:

- UL Recognized, guide IZLT2, File E52283
- CSA Certified - C22.2, class 6225, File 32169



Mersen GPM panel mount fuse holders will accommodate 1/4" x 1-1/4" 3AG fuses and 5 mm x 20 mm fuses; most are approved by U.L. and CSA. Cap and body material is bakelite or polycarbonate and function as a screw-in or bayonet style closure. Finger-grip or screwdriver slots are available. All holders are rated for up to 250 volts with amp ratings ranging from 3A to 15A.

Catalog No.	Cap Type	Volts	Amps	Fuse Size	Terminal Type	Approvals
GPM-A1	Finger-grip/Screw-in	250	10	5mm x 20mm	Solder	
GPM-A2	Finger-grip/Screw-in	250	10	5mm x 20mm	Solder	UR/CSA
GPM-A3	Finger-grip/Screw-in	250	3	5mm x 20mm	Solder	UR/CSA
GPM-A4	Finger-grip/Screw-in	250	6.3	5mm x 20mm	Solder, right angle	
GPM-A5	Screwdriver Slot	250	10	5mm x 20mm	Solder	
GPM-A6	Screwdriver Slot	250	6.3	5mm x 20mm	Solder, right angle	UR/CSA
GPM-A8	Screwdriver Slot	250	10	5mm x 20mm	Solder, right angle	UR/CSA
GPM-A9	Screwdriver Slot	250	6.3	5mm x 20mm	Solder, right angle	UR/CSA
GPM-A10	Screwdriver Slot	250	6.3	5mm x 20mm	3/16" Solder/QC	UR/CSA
GPM-A11	Screwdriver Slot	250	10	5mm x 20mm	Solder, right angle	UR/CSA

RECOMMENDED FUSE USAGE:

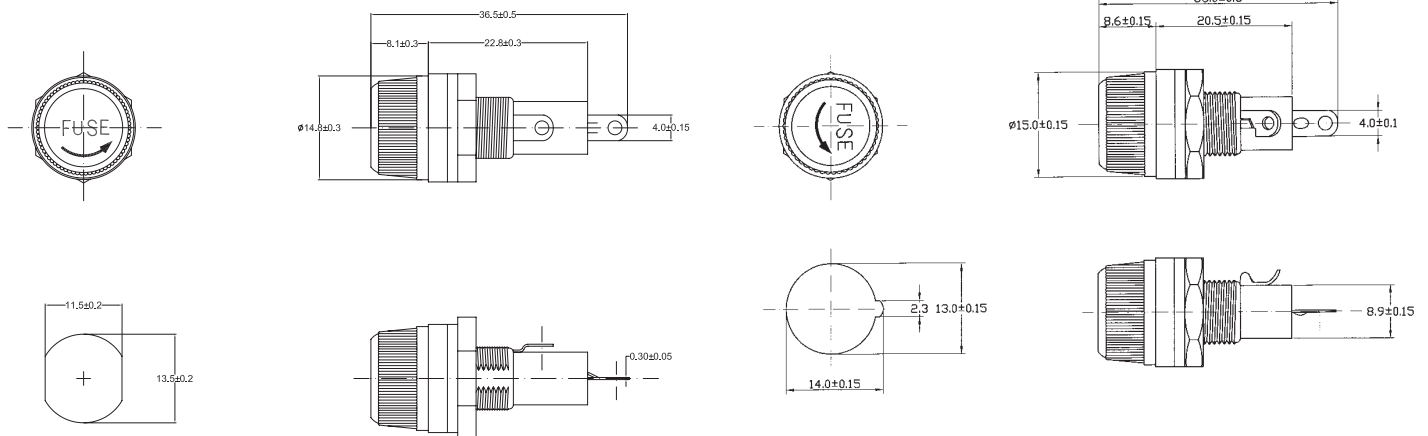
- GPM-AX: GGM, GGA, GSB, GSC, GDG, GSD, GSF
- All dimensions mm's



GPM-A1



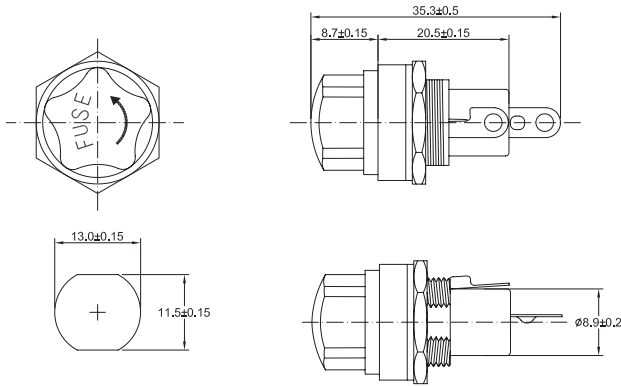
GPM-A2



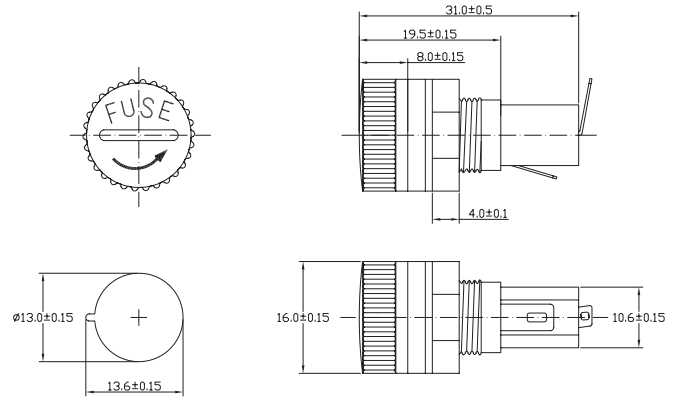
© 2024 Mersen. All rights reserved. Mersen reserves the right to change, update, or correct, without notice, any information contained in this datasheet.



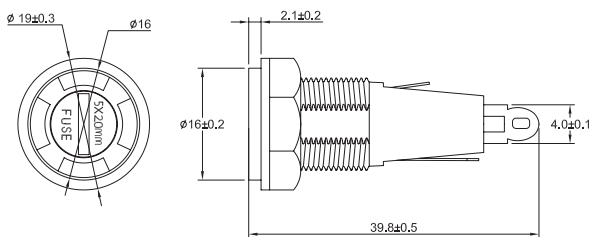
GPM-A3



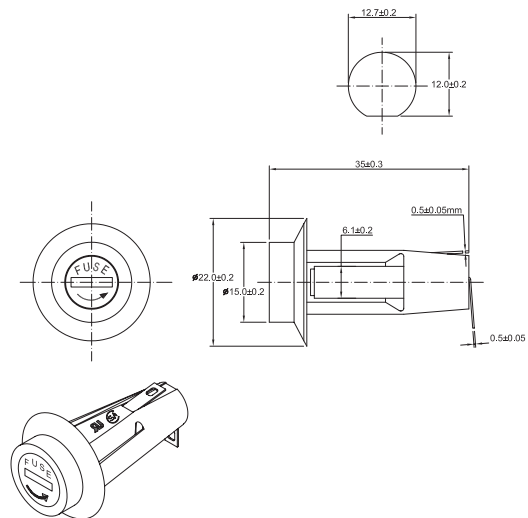
GPM-A4



GPM-A5



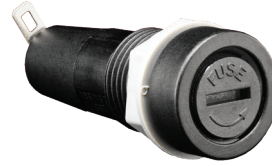
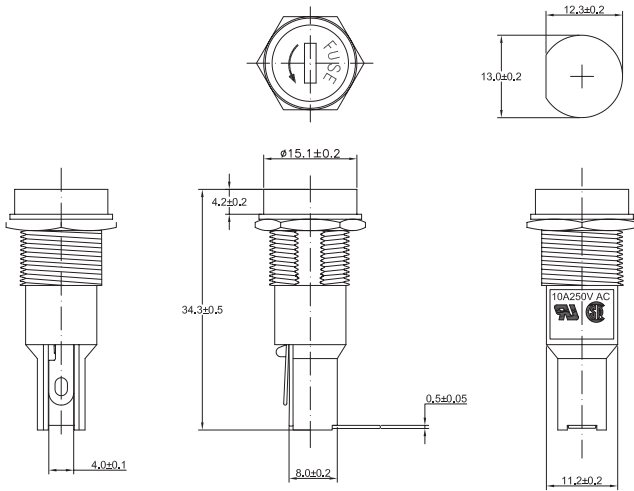
GPM-A6



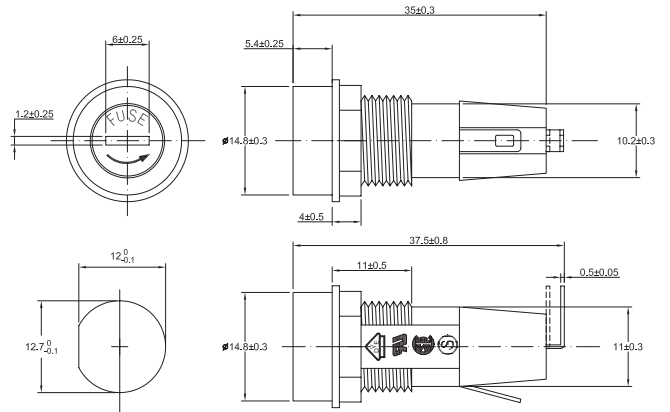
© 2024 Mersen. All rights reserved. Mersen reserves the right to change, update, or correct, without notice, any information contained in this datasheet.



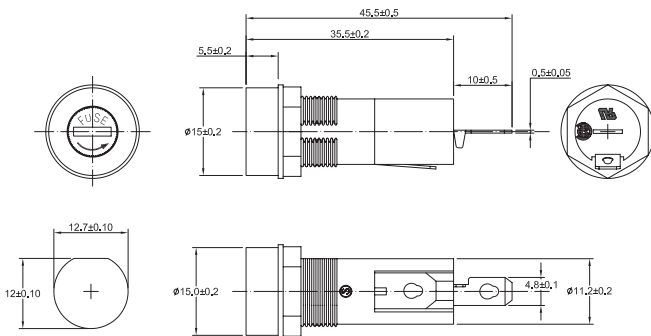
GPM-A8



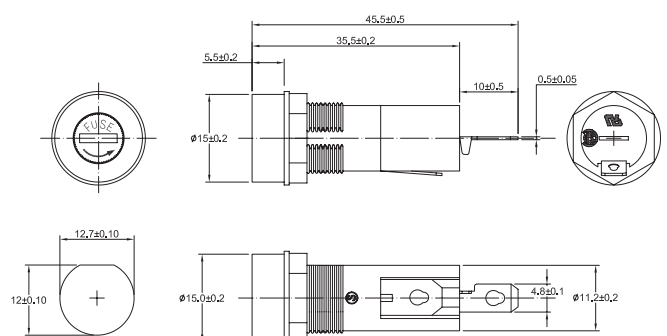
GPM-A9



GPM-A10



GPM-A11



© 2024 Mersen. All rights reserved. Mersen reserves the right to change, update, or correct, without notice, any information contained in this datasheet.

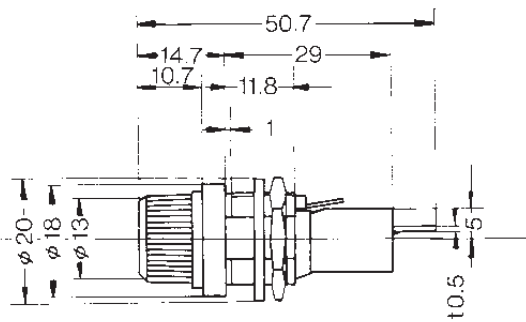
Catalog No.	Cap Type	Volts	Amps	Fuse Size	Terminal Type	Approvals
GPM-G	Finger-grip/Screw-in	250	15	3AG	3/16" Solder/QC	UR/CSA
GPM-G1	Finger-grip/Screw-in	250	10	3AG	3/16" Solder/QC	UR/CSA
GPM-G2	Finger-grip/Screw-in	250	10	3AG	Solder	
GPM-G3	Screwdriver Slot	250	10	3AG	Solder	UR/CSA
GPM-G5	Finger-grip/Bayonet	250	10	3AG	1/4" Solder/QC	UR/CSA
GPM-G6	Finger-grip/Bayonet	250	10	3AG	Solder	UR/CSA
GPM-G7	Screwdriver Slot	250	15	3AG	3/16" Solder/QC	UR/CSA

RECOMMENDED FUSE USAGE:

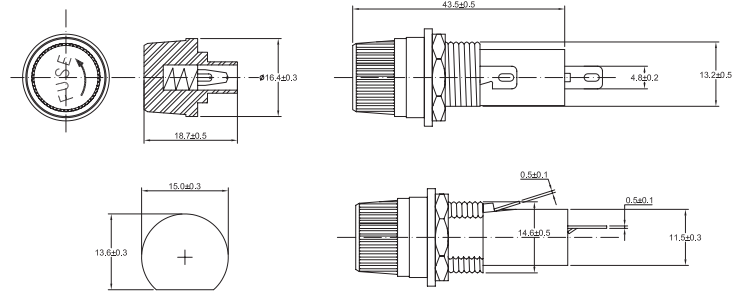
GPM-GX: GGC, GDL, GSA, GAB
 All dimensions mm's



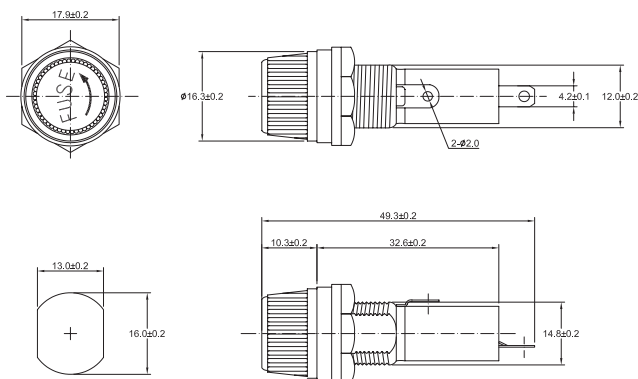
GPM-G



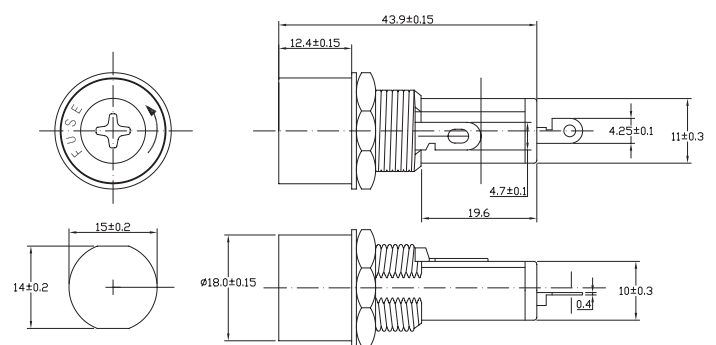
GPM-G1



GPM-G2



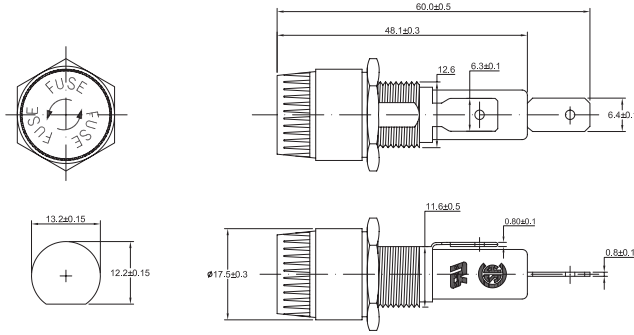
GPM-G3



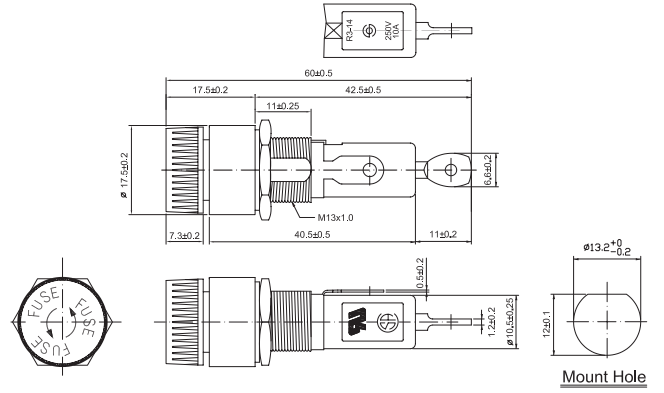
© 2024 Mersen. All rights reserved. Mersen reserves the right to change, update, or correct, without notice, any information contained in this datasheet.



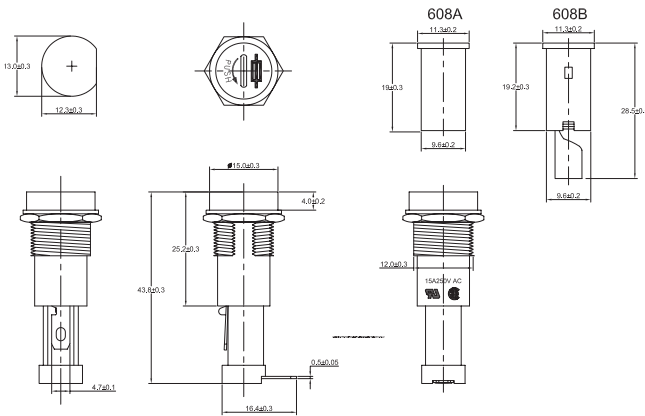
GPM-G5



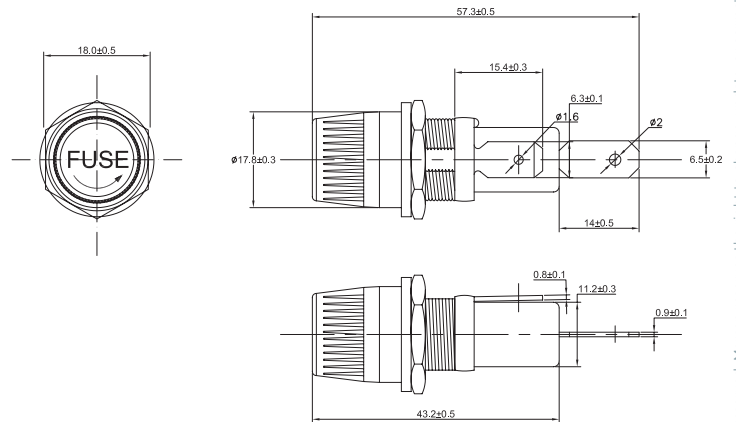
GPM-G6



GPM-G7



GPM-G8



© 2024 Mersen. All rights reserved. Mersen reserves the right to change, update, or correct, without notice, any information contained in this datasheet.