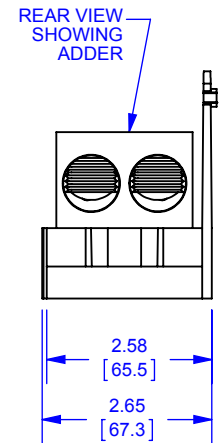
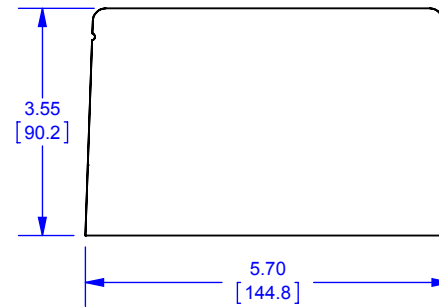
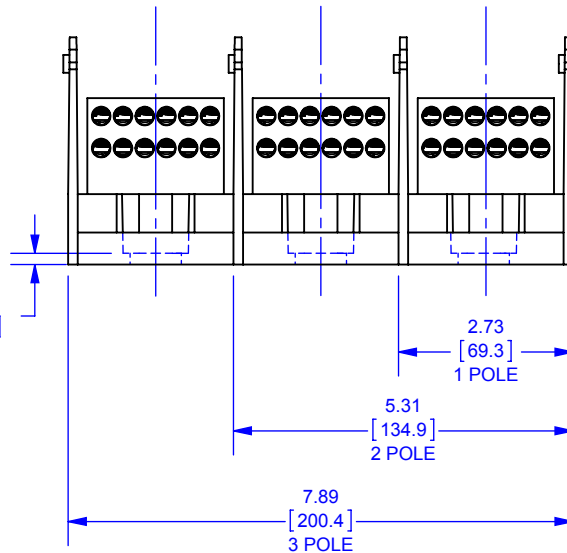
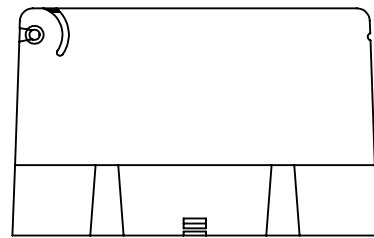
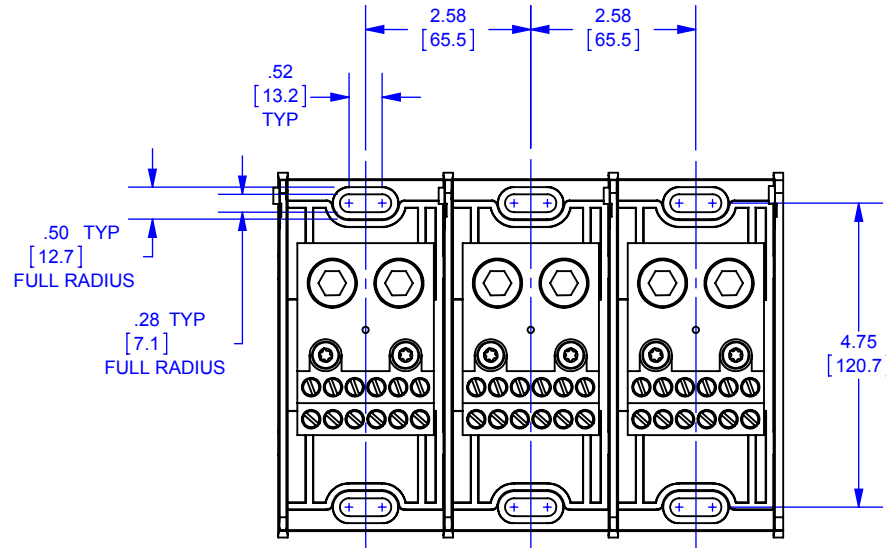


REV.	DATE	ECO	DESCRIPTION	BY	CK	APP
-	4/3/2014	N/A	INITIAL RELEASE	GDR	N/A	N/A



DIMENSIONS IN [] ARE MILLIMETERS



MERSEN USA NEWBURYPORT-MA, LLC
374 MERRIMAC STREET
NEWBURYPORT, MA 01950

MPDB6811(0,1,2,3)

PDB- ADDER, 1 TO 3 POLE

(2) 500-4 X (12) 4-14 COPPER

OUTLINE DIMENSIONS
NOT TO BE USED FOR PRODUCTION

702035

PRODUCT MANAGER

SIGN:

DATE:

DESIGN ENGINEER

SIGN:

DATE: (SEE ECO)