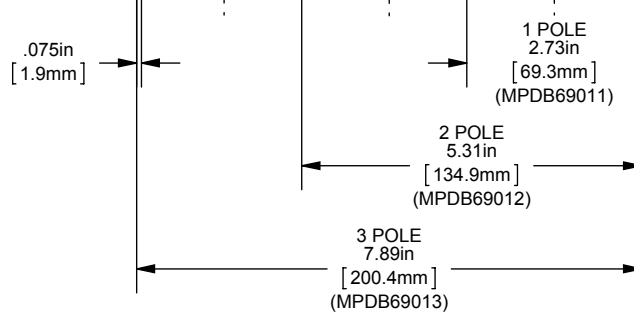
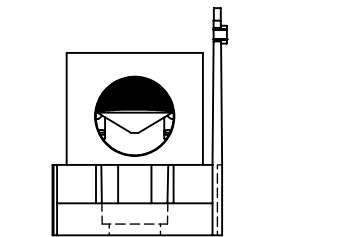
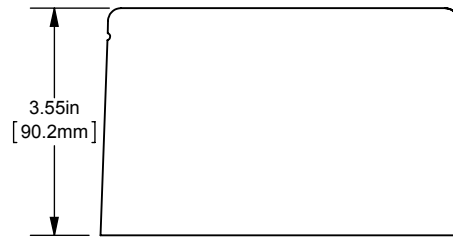
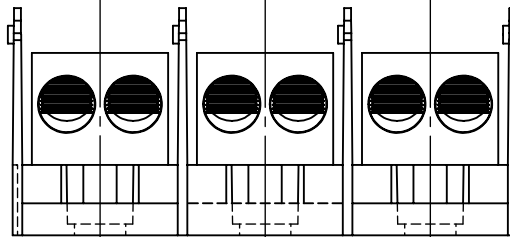
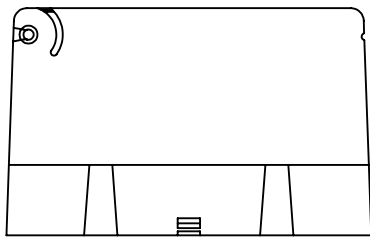
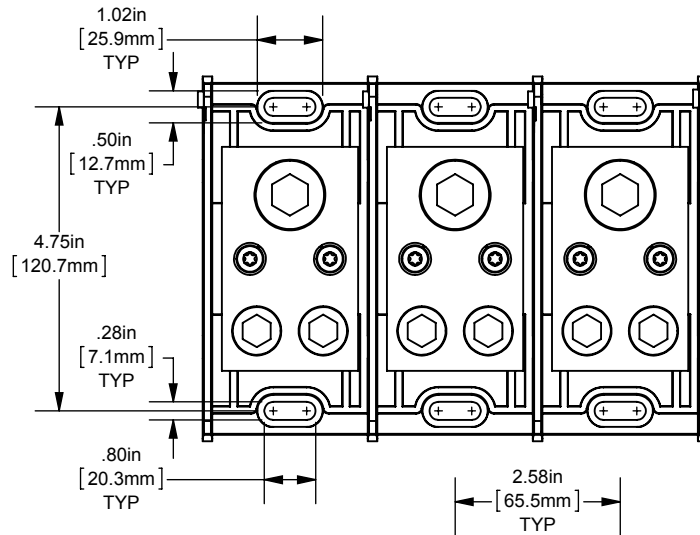


REV.	DATE	ECO	DESCRIPTION	BY	CK	APP
-	8/28/2013	N/A	INITIAL RELEASE	GDR	N/A	N/A



DIMENSIONS IN [] ARE MILLIMETERS



MERSEN USA NEWBURYPORT-MA, LLC
374 MERRIMAC STREET
NEWBURYPORT, MA 01950

MPDB(69010,69011,69012,69013)
PDB 1-3, ADDER ALUMINUM LARGE
(1) 1000-250 X (2) 500-4

OUTLINE DIMENSIONS
NOT TO BE USED FOR PRODUCTION

701978
SHEET 1 OF 1

PRODUCT MANAGER
SIGN:
DATE:

DESIGN ENGINEER
SIGN:
DATE: (SEE ECO)