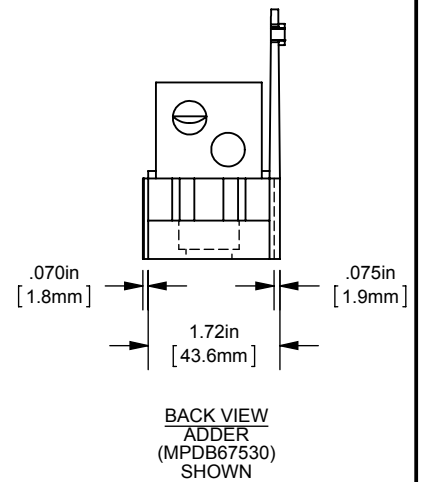
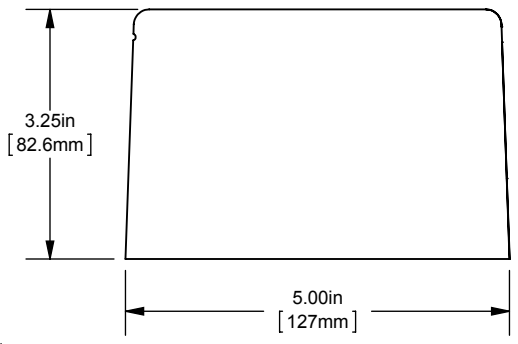
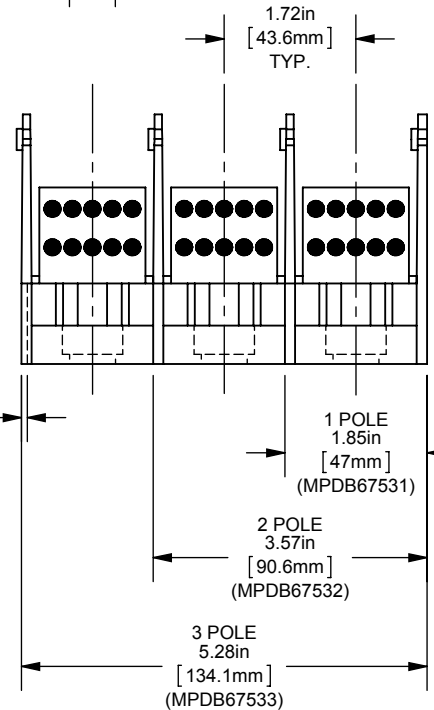
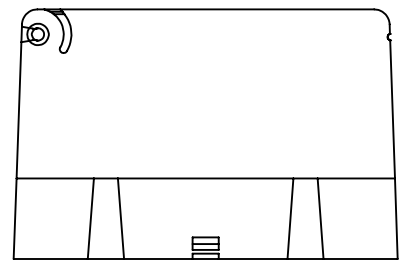
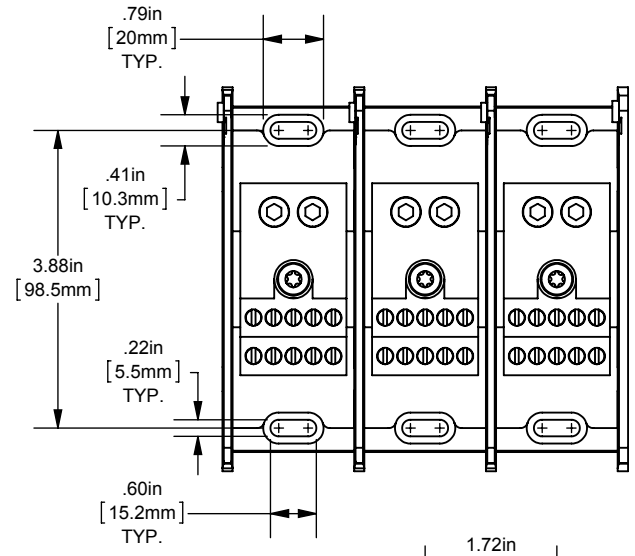


REV.	DATE	ECO	DESCRIPTION	BY	CK	APP
-	8/9/2013	N/A	INITIAL RELEASE	GDR	N/A	N/A



DIMENSIONS IN [ ] ARE MILLIMETERS



MERSEN USA NEWBURYPORT-MA, LLC  
374 MERRIMAC STREET  
NEWBURYPORT, MA 01950

**MPDB(67530,67531,67532,67533)**  
**PDB 1-3P,ADDER ALUMINUM INTERMEDIATE**  
**(2) 2/0-14 X (10) 6-14**

OUTLINE DIMENSIONS  
NOT TO BE USED FOR PRODUCTION

**701906**

**PRODUCT MANAGER**  
SIGN:  
DATE:

**DESIGN ENGINEER**  
SIGN:  
DATE: (SEE ECO)