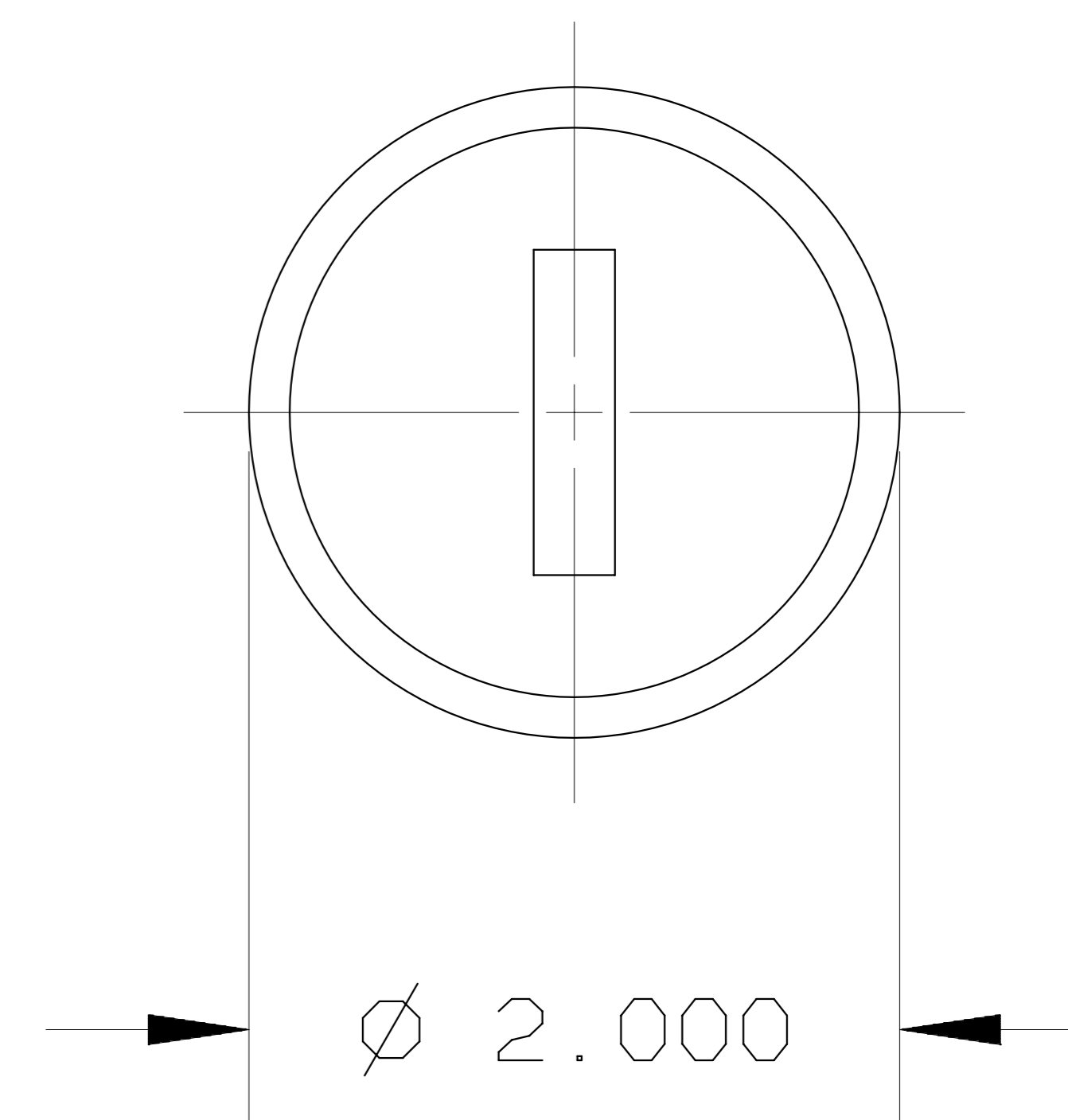
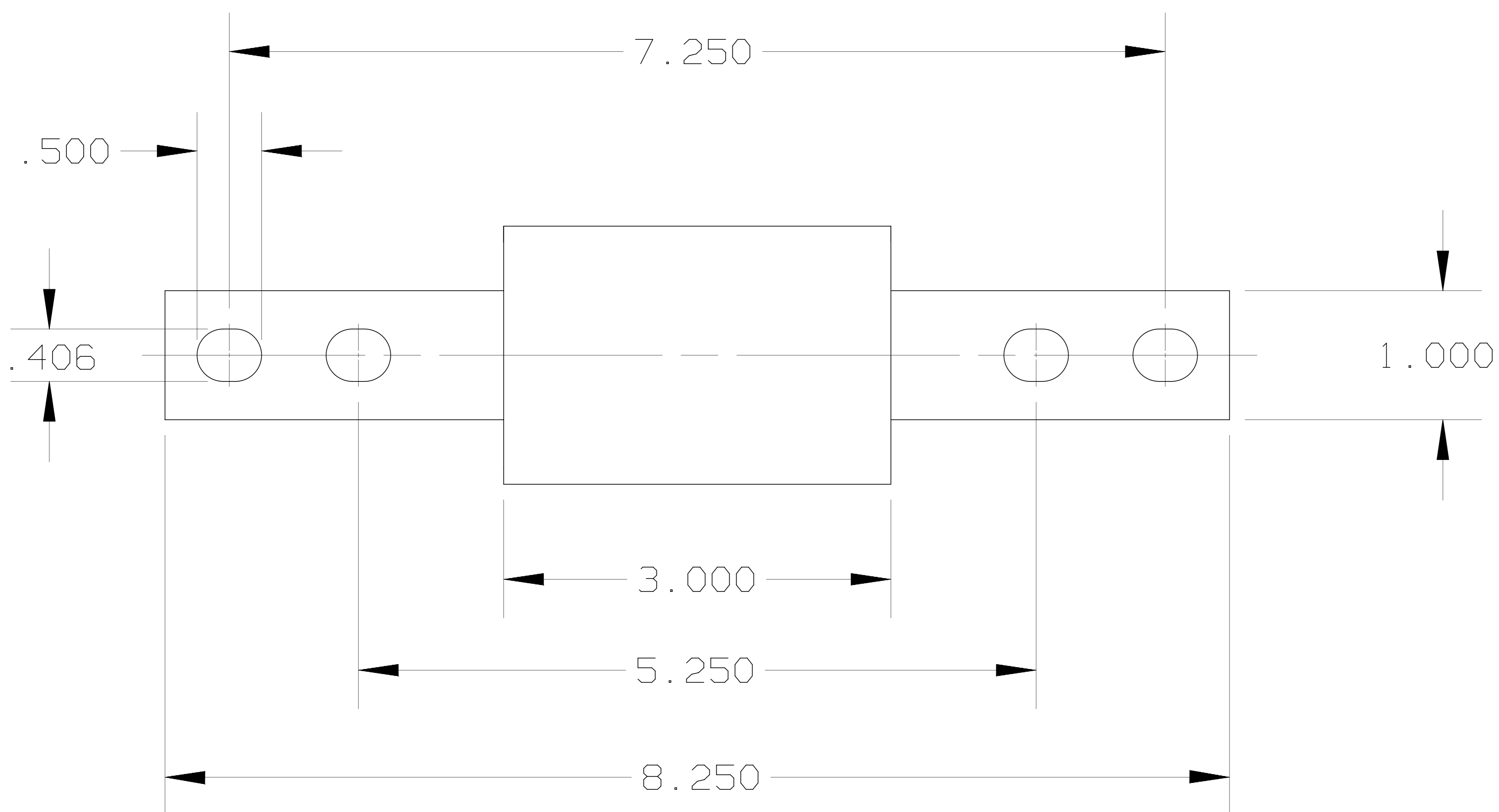
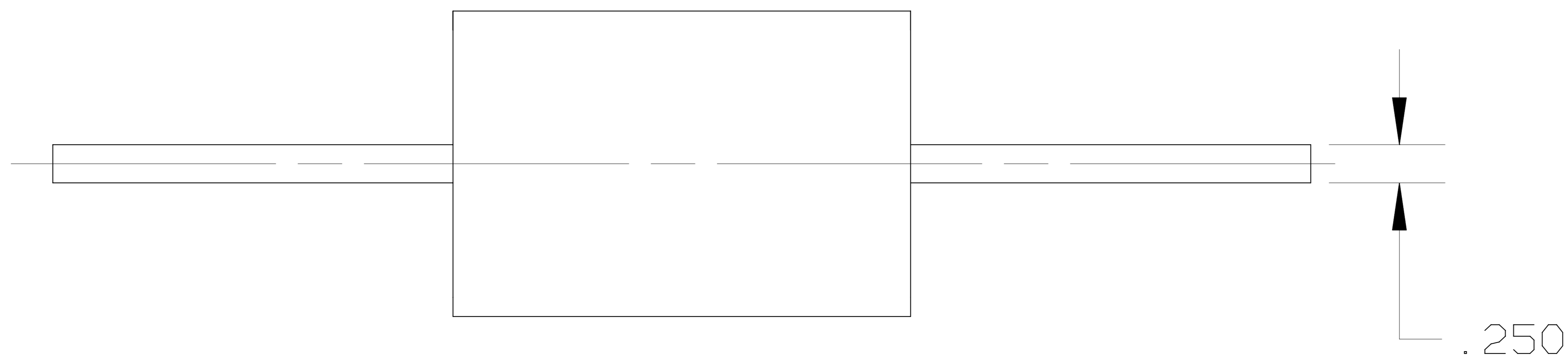


REV	DATE	ECO	DESCRIPTION	BY	CK	APP
-	8-3-10	NA	INITIAL RELEASE	LDB	NA	(SEE ECO)



MERSEN

MERSEN USA NEWBURYPORT-MA, LLC
374 MERRIMAC STREET
NEWBURYPORT, MA 01950

FESC(250-400)

OUTLINE DIMENSIONS
NOT TO BE USED FOR PRODUCTION

PRODUCT MANAGER

DESIGN ENGINEER

CLASS C FORM II

SIGN:

SIGN:

250-400A

600V

701508

DATE:

DATE: