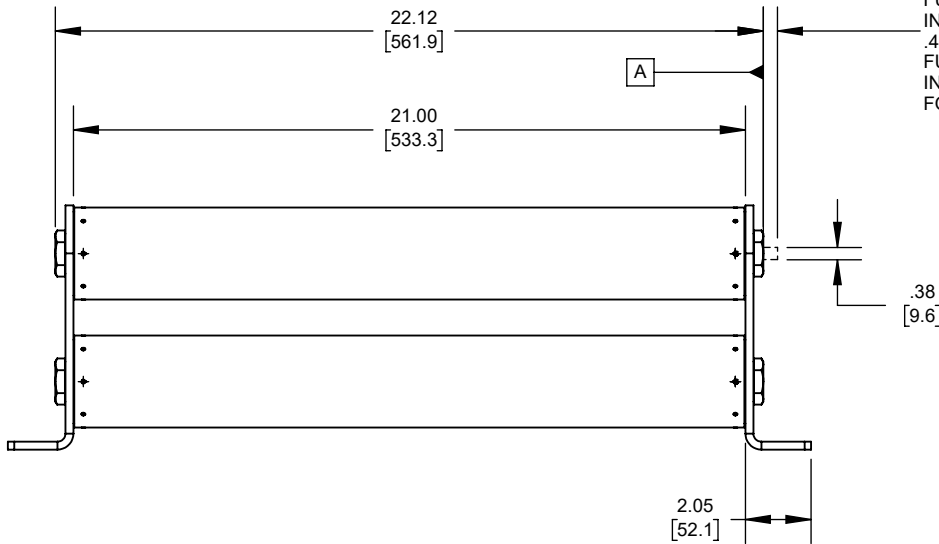
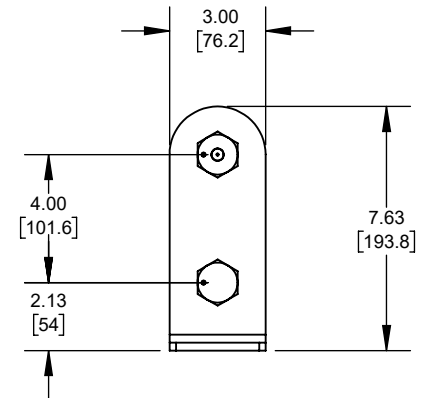


REV.	DATE	ECO	DESCRIPTION	BY	CK	APP
-	8/23/2002	N/A	INITIAL RELEASE	LAS	N/A	N/A
B	10/27/2023	17857	REDRAWN FROM CADRA, UPDATED SCALE, .44[11.2] WAS .50in(12.7mm) AND 1 LB WAS 2 LBS	LA	N/A	SEE ECO



INDICATOR FLUSH WITH SURFACE "A" BEFORE FUSE OPENS.
 INDICATOR EXTENDS .44[11.2] AFTER FUSE OPENS.
 INDICATOR EXERTS 1 LB FORCE AT END OF TRAVEL

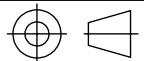


OUTLINE DIMENSIONS
 NOT TO BE USED FOR PRODUCTION

DIMENSIONS IN []
 ARE MILLIMETERS

Approval stage / Etat d'approbation: APPROUVÉ POUR FABRICATION / APPROVED FOR MANUFACTURING		Product Class:/ Product Type: MV E-RATED BOLT-IN FUSE AMP-TRAP	
Initial ECO / ECO intiale: ECO-17857-000		Product amp rating:/ Voltage rating: 450-600E 5.5kV	
Draw by / Dessiné par: Luis ARMENTA	Date : 11/14/2023	Title / Titre: OUTLINE A055B2D0R0-(450-600)E	
Checked by / Vérifié par: Yadyra Fang	Date : 11/14/2023		
Electrical Power 374 MERRIMAC STREET NEWBURYPORT, MA 01950		Drawing / de dessin: 700873	
Éch / Scale : 1:6 Format / Size : A		Part / Article: SEE TABLE	Page : 1/1

Weight :
Masse :



Rev : **B**
Rév :



A055B2D0R0-600E	600E
A055B2D0R0-500E	500E
A055B2D0R0-450E	450E
CATALOG NUMBER	RATING

Ce plan strictement confidentiel est la propriété exclusive de la société MERSEN sans l'autorisation écrite de laquelle il ne peut être ni reproduit, ni copié, ni communiqué à des tiers.
 This drawing and specifications there on is property of MERSEN and shall not be reproduced or copied or used in whole or in part as the base for manufacture or sale of item without written permission.