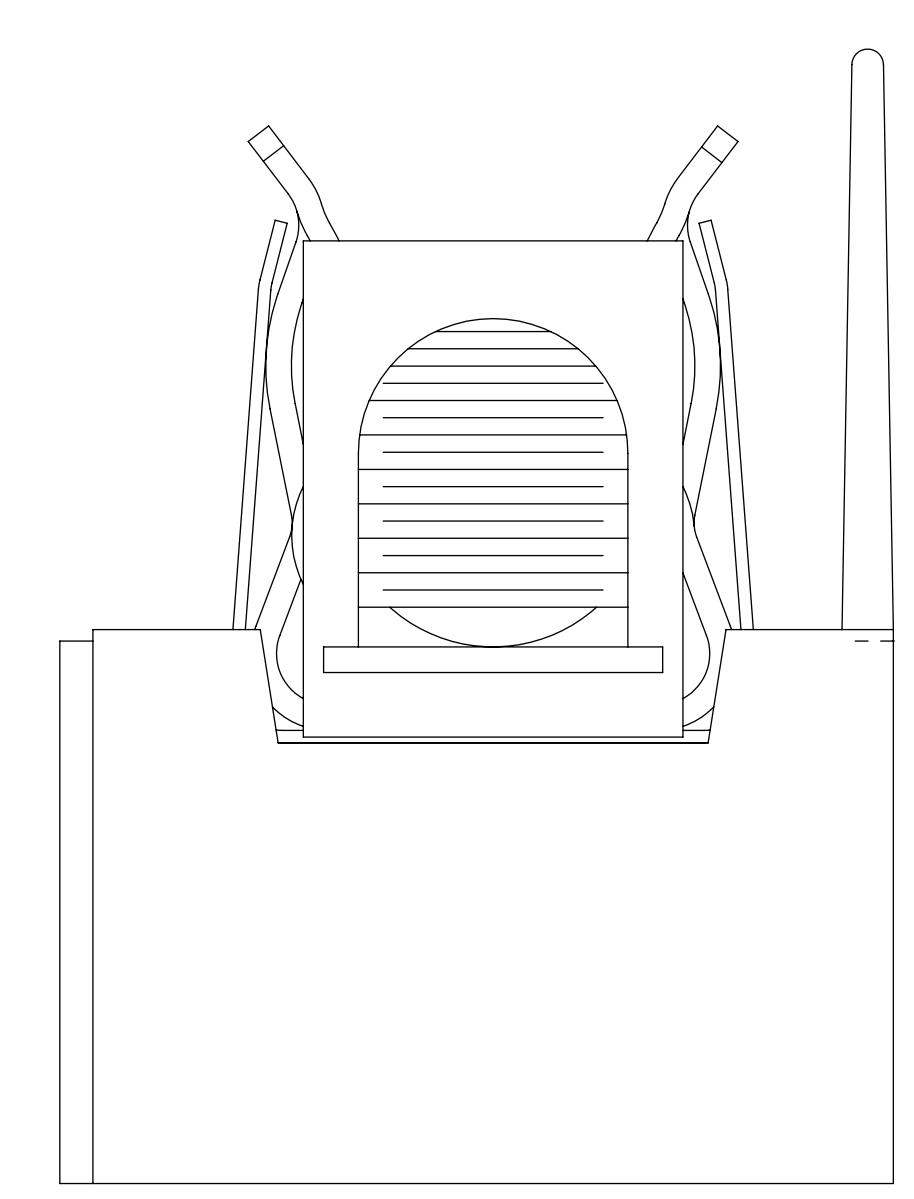
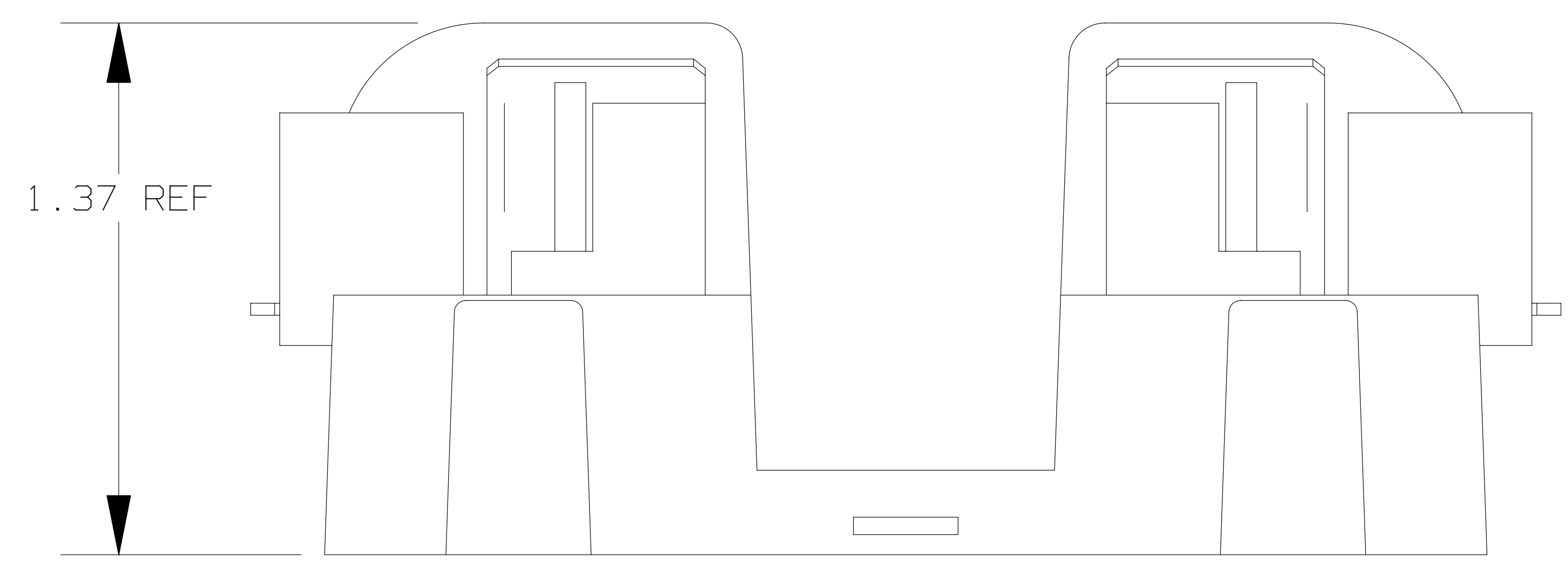
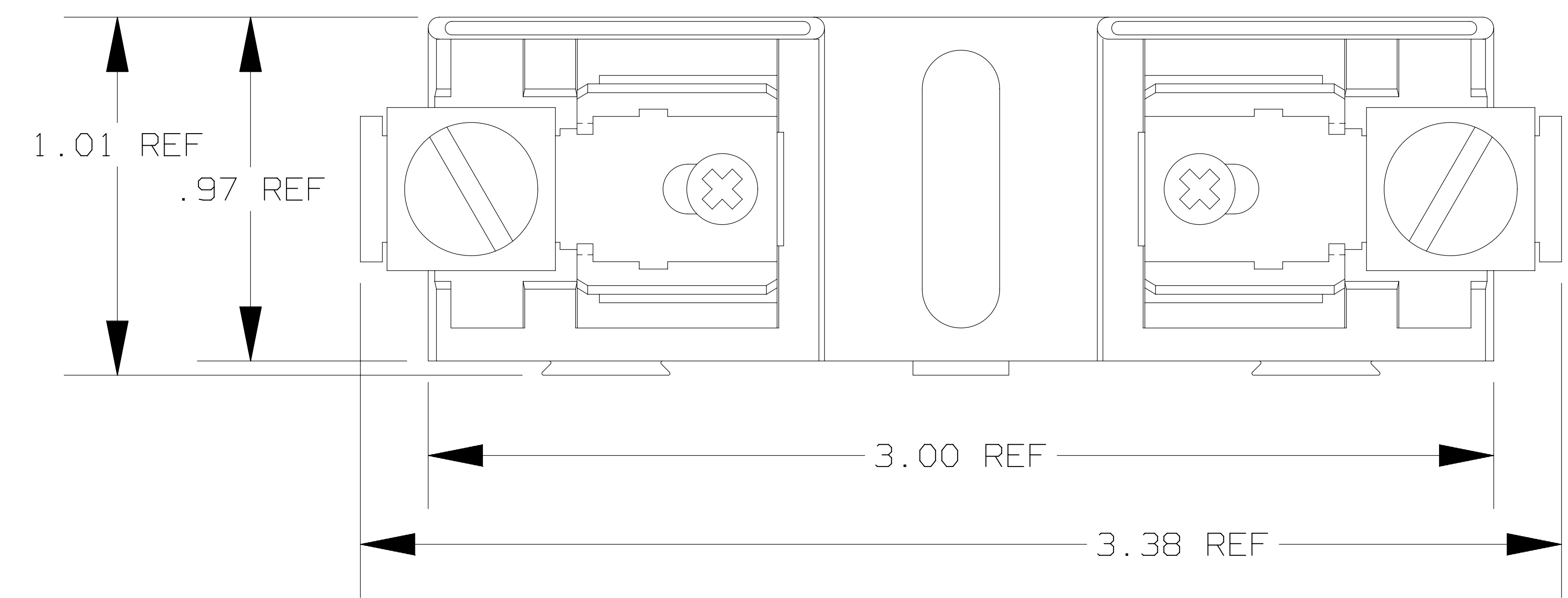


REV	DATE	ECO	DESCRIPTION	BY	CK	APP
-----	------	-----	-------------	----	----	-----



P/N	FUSE CLASS	RMS SYM RATING	TORQUE (IN-LBS)	WIRE		UL	
				°C	TYPE	FILE NO.	GUIDE NO.
U70505	14x51mm	200K	35	60/75	CU-AL	E52283	IZLT2

Mersen MERSEN USA NEWBURYPORT-MA, LLC
 374 MERRIMAC STREET
 NEWBURYPORT, MA 01950

PRODUCT MANAGER: _____
 DESIGN ENGINEER: _____

SIGN: _____
 DATE: _____

FUSE BLOCK, 750V-50A, ADDER
 14x51mm FUSES

OUTLINE DIMENSIONS
 NOT TO BE USED FOR PRODUCTION

700833