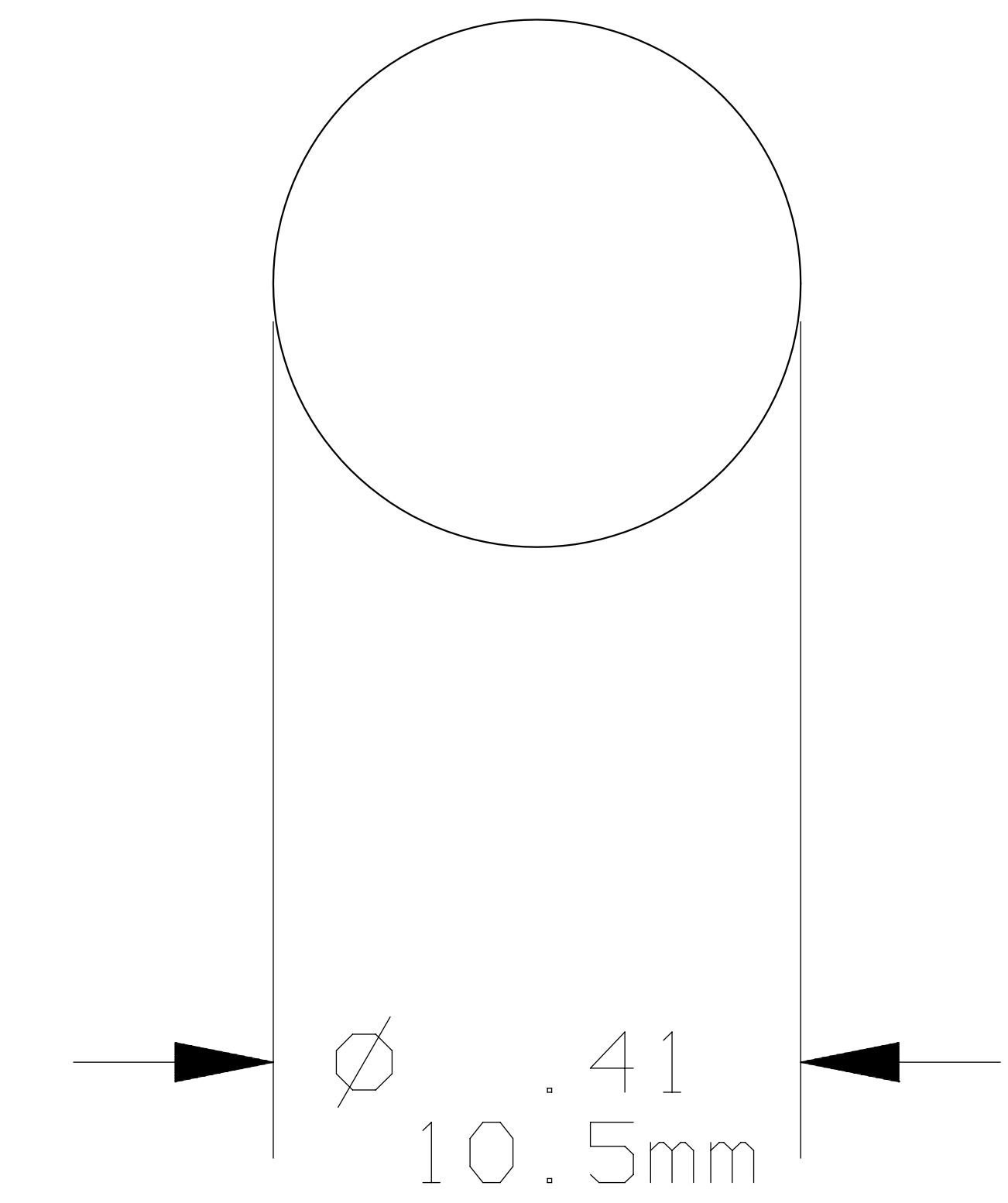
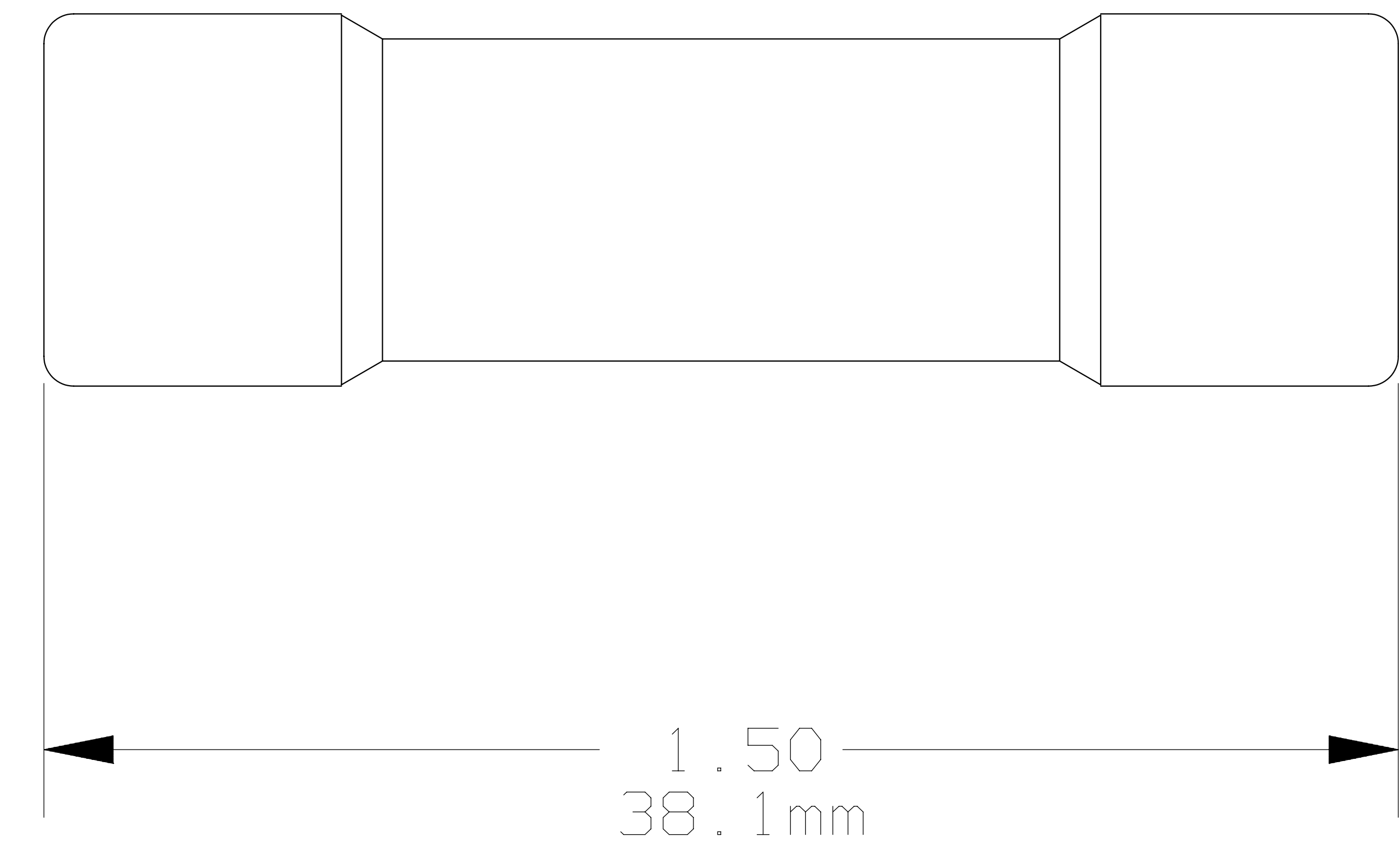


REV	DATE	ECO	DESCRIPTION	BY	CK	APP
E	1-4-11	N/A	REMOVED DIM. TOLERANCES	LDB	N/A	N/A



NOTES:

1. DIMENSIONS ARE IN $\frac{\text{INCH}}{\text{MILLIMETER}}$



MERSEN USA NEWBURYPORT-MA, LLC
374 MERRIMAC STREET
NEWBURYPORT, MA 01950

ATM(1/10-30)
FORM 600 MIDGET
1/10-30A. 600V
PLATED TERMINALS

OUTLINE DIMENSIONS
NOT TO BE USED FOR PRODUCTION

14050

PRODUCT MANAGER
SIGN:
DATE:

DESIGN ENGINEER
SIGN:
DATE: