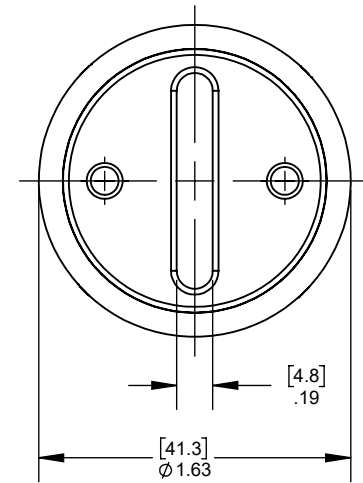
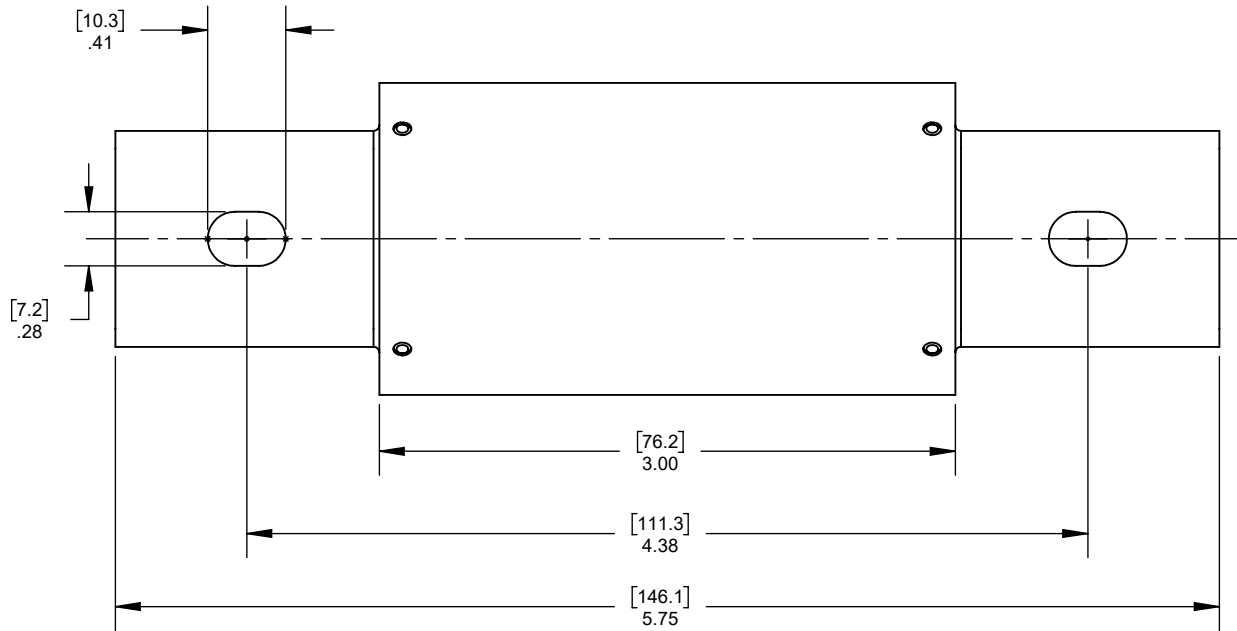


REV.	DATE	ECO	DESCRIPTION	BY	CK	APP
I	1/25/2019	23045	ADDED AJT (225-400)N	LDB	N/A	N/A
J	3/1/2022	16704	UPDATED TITLE BLOCK AND VOLTAGE CHART	ABT	YF	SEE ECO



Approval stage / Etat d'approbation: APPROUVÉ POUR FABRICATION / APPROVED FOR MANUFACTURING		Product Class:/ Product Type: CLASS J TIME DELAY	
		Product amp rating:/ Voltage rating: SEE TABLE	
Initial ECO / ECO intiale: ECO-16704-000		Title / Titre: OUTLINE	
Draw by / Dessiné par: Alma Balcazar		Date : 3/2/2022	
Checked by / Vérifié par: Yadyra Fang		Date : 3/2/2022	
		Drawing / de dessin: 13717-2	
Electrical Power 374 MERRIMAC STREET NEWBURYPORT, MA 01950		Éch / Scale : 1:1 Format / Size : A	
		Part / Article: 241378	
		Page : 1/1	
		MERSEN	
Ce plan strictement confidentiel est la propriété exclusive de la société MERSEN sans l'autorisation écrite de laquelle il ne peut être ni reproduit, ni copié, ni communiqué à des tiers. This drawing and specifications there on is property of MERSEN and shall not be reproduced or copied or used in whole or in part as the base for manufacture or sale of item without written permission.			

200 A	600VAC/300VDC	A4JFP
200 A	600VAC/300VDC	A4J-MK
110-200 A	600VAC/300VDC	A4J
110-200 A	700VAC/500VDC	AJTN
110-200 A	700VAC/500VDC	AJT
RATING	VOLTAGE	CATALOG NUMBER