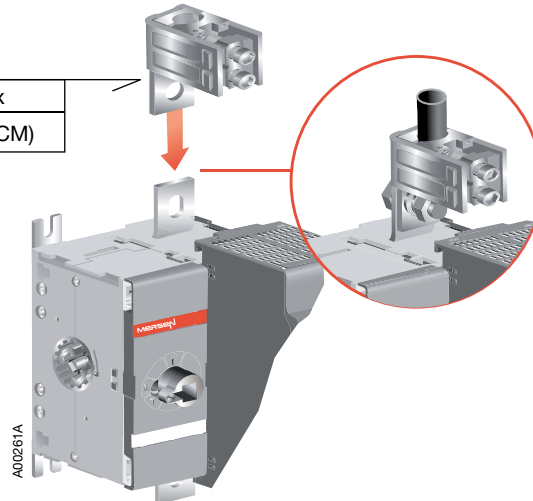


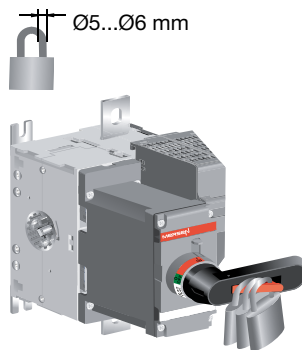
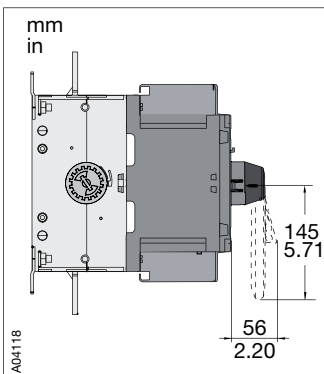
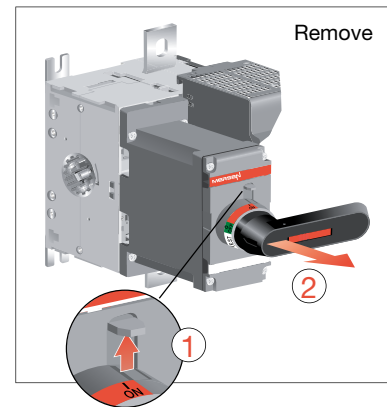
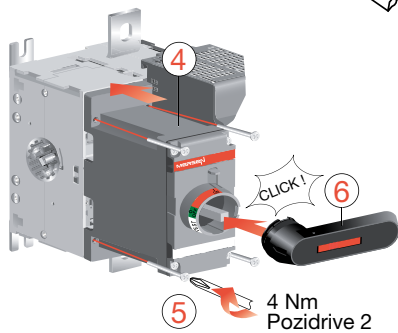
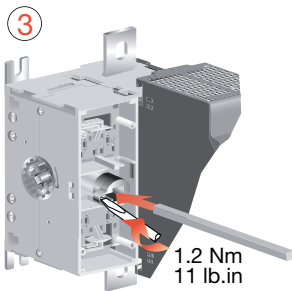
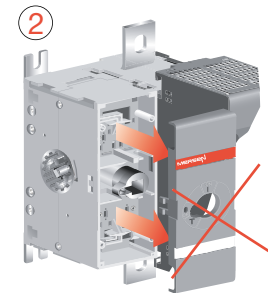
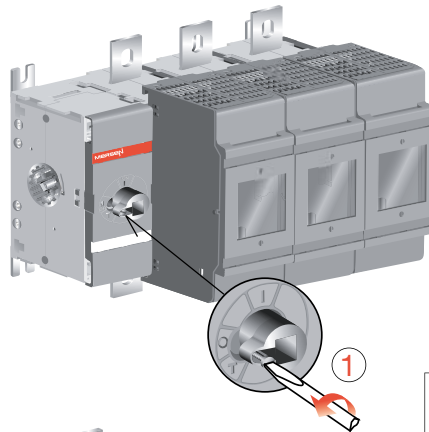
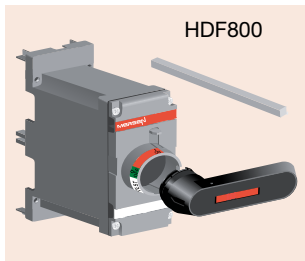
M600x - M800x Fused

Lugs

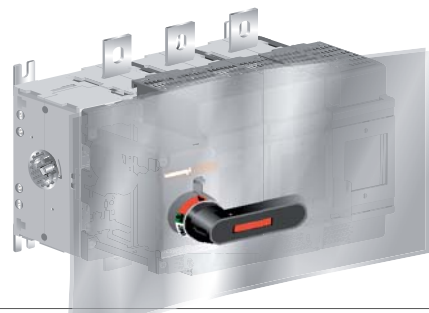
M600Jxx, M800Lxx
LUG 2 (#2 - 600 MCM)



Direct-mounted Handle

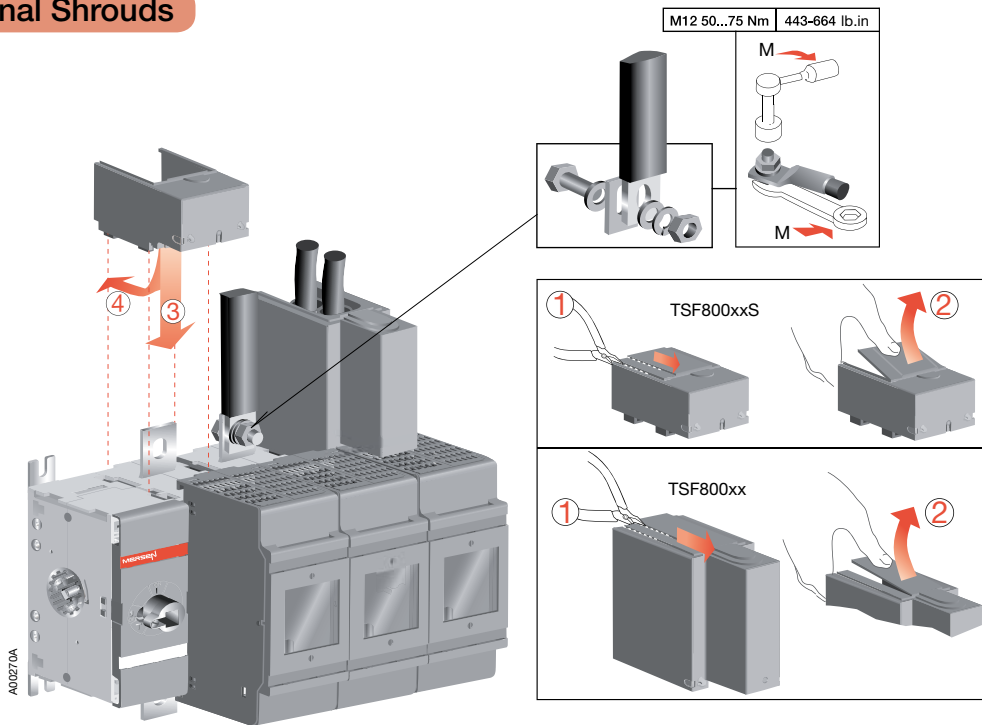


Note: Use protection against direct contact. For example:

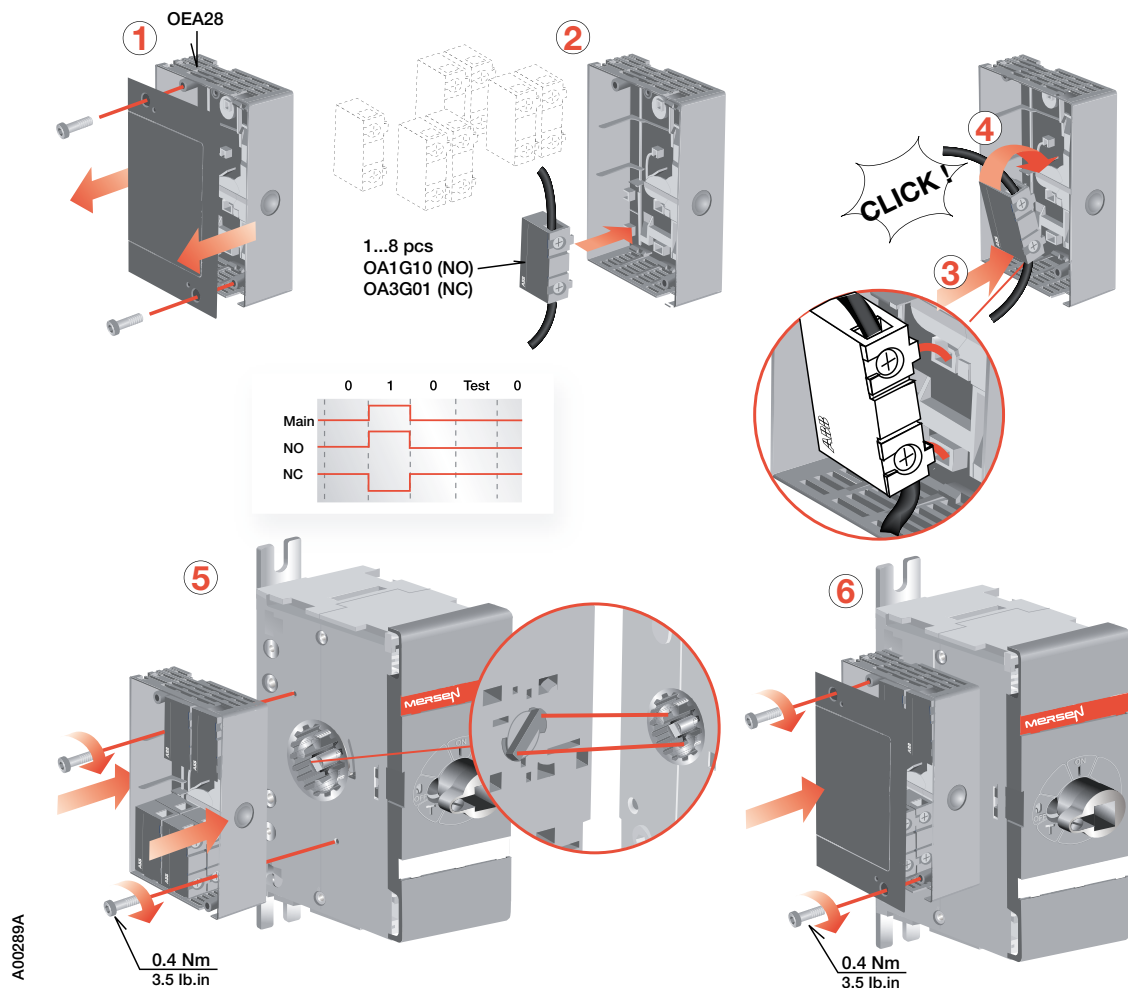


M600x - M800x Fused

Terminal Shrouds



Externally-mounted Auxiliary Contacts



M600x - M800x Fused

Internally-Mounted Auxiliary Contacts

A

B

1

2

3

Test contact

max 2

max 2

max 2

max 2

Test indication contact

NO: OA1G10
NC: OA3G01

0 1 0 Test 0

Main contact

Test contact (NO)

Test indication contact (NO)

Test contact (NC)

Test indication contact (NC)

C

Remove

~ 10°

A00290A

Neutral Poles

1

2

3

Or

3

4

4 Nm
35 lb.in

A00288A



ep.mersen.com