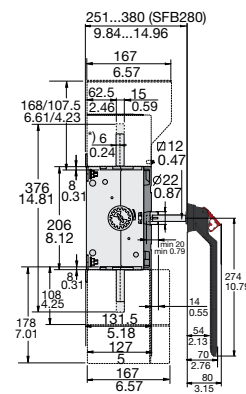
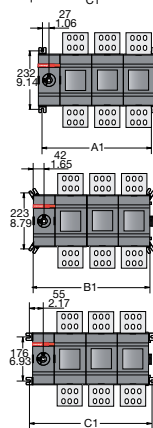
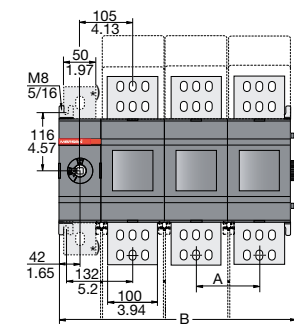
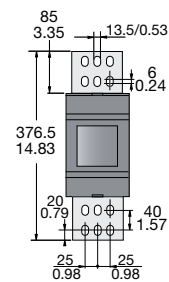
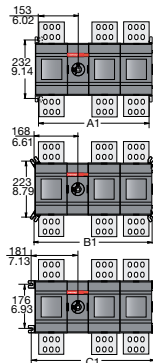
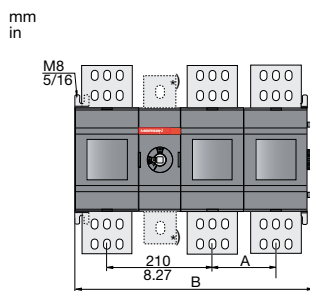
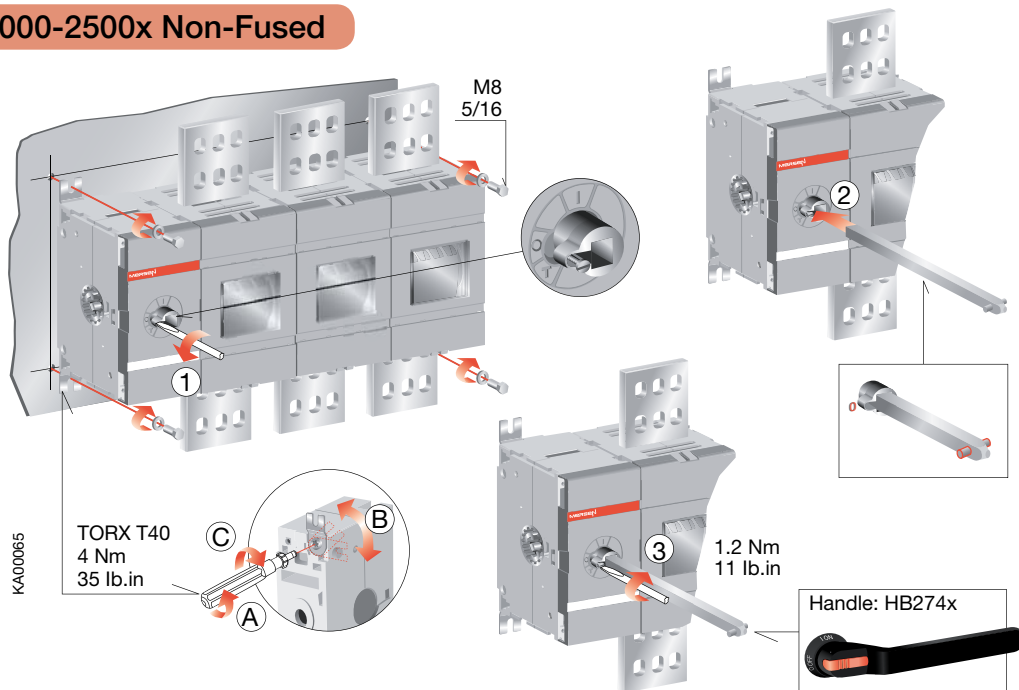


2000-2500x Non-Fused

Document no. 34M2000-2500NF-A

M2000-2500x Non-Fused

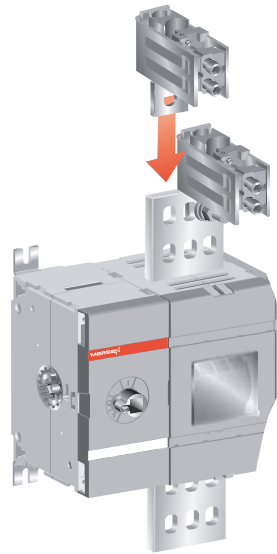


*) N3 types

		M2000/2500Ex							
		01	02	03	04	11	12	13	22
A	mm		126	126	126	126	126	126	126
	in		4.96	4.96	4.96	4.96	4.96	4.96	4.96
B	mm	220.5	346.5	472.5	598.5	346.5	472.5	598.5	598.5
	in	8.68	13.64	18.60	23.56	13.64	18.60	23.56	23.56
A1	mm	180	306	432	558	306	432	558	558
	in	7.09	12.05	17.01	21.97	12.05	17.01	21.97	21.97
B1	mm	210	336	462	588	336	462	588	588
	in	8.27	13.23	18.19	23.15	13.23	18.19	23.15	23.15
C1	mm	236	362	488	614	362	488	614	614
	in	9.29	14.25	19.21	24.17	14.25	19.21	24.17	24.17

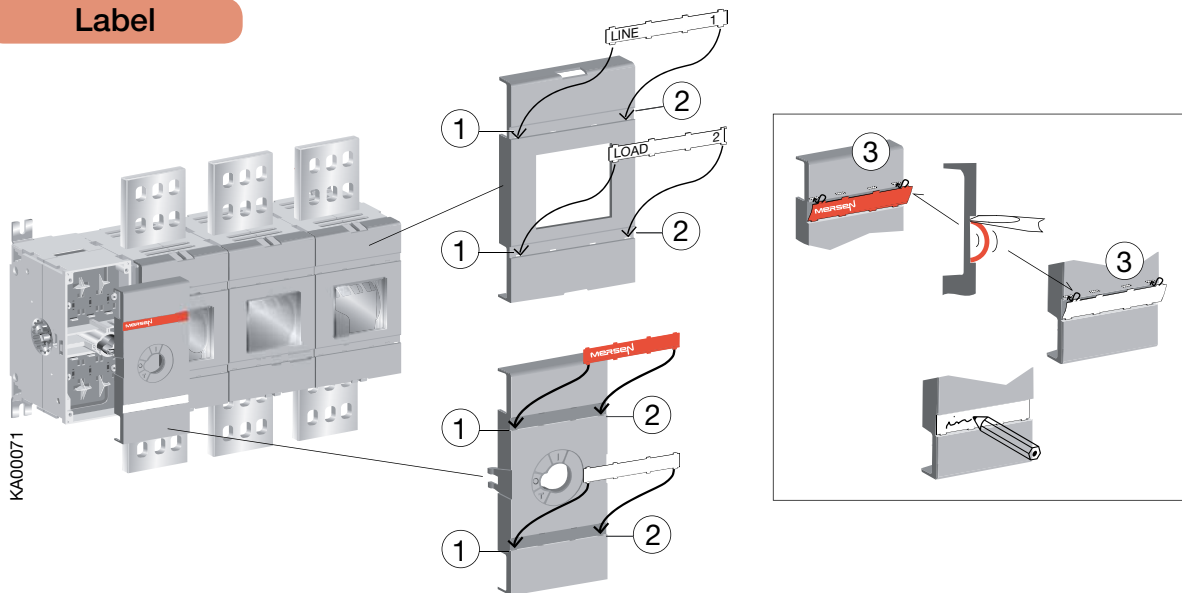
2000-2500x Non-Fused

Lugs



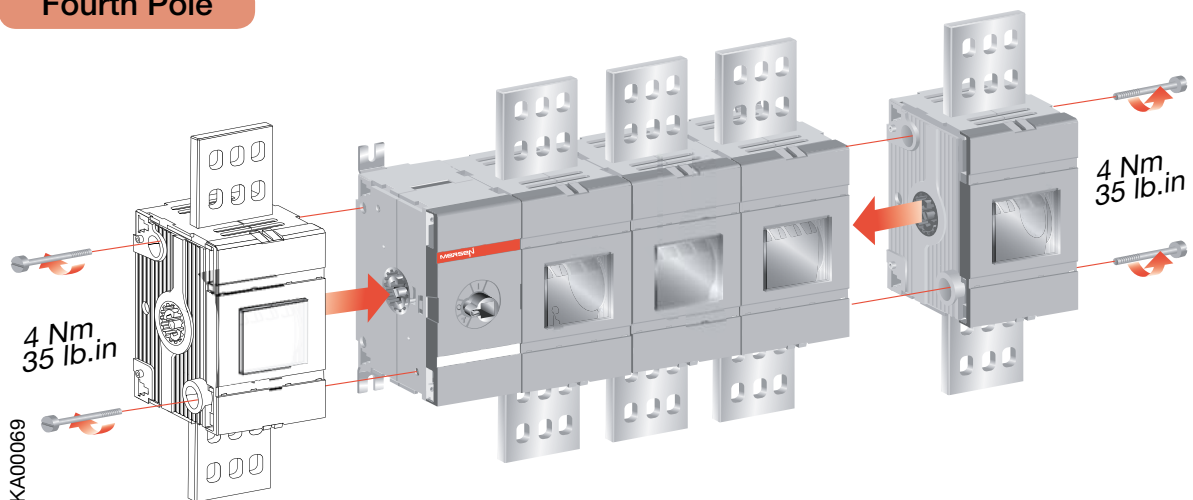
A04027

Label



KA00071

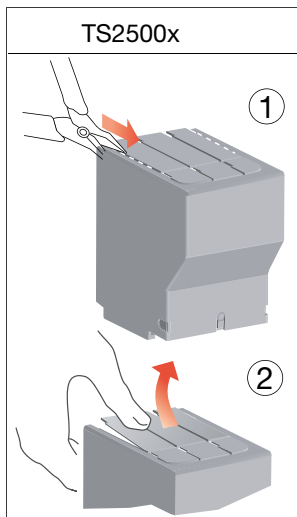
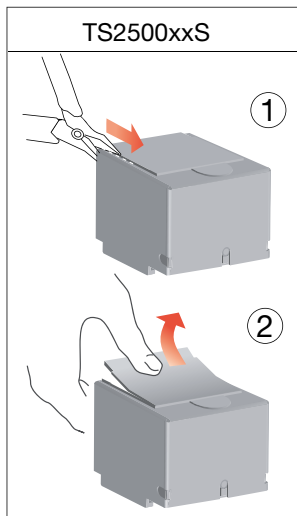
Fourth Pole



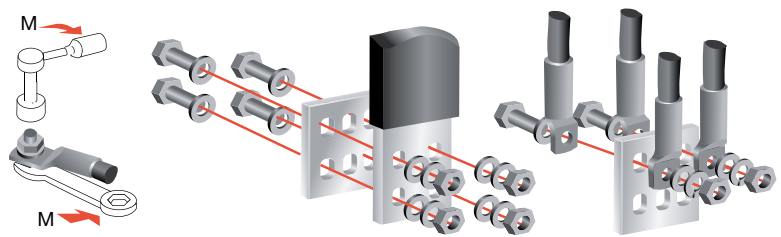
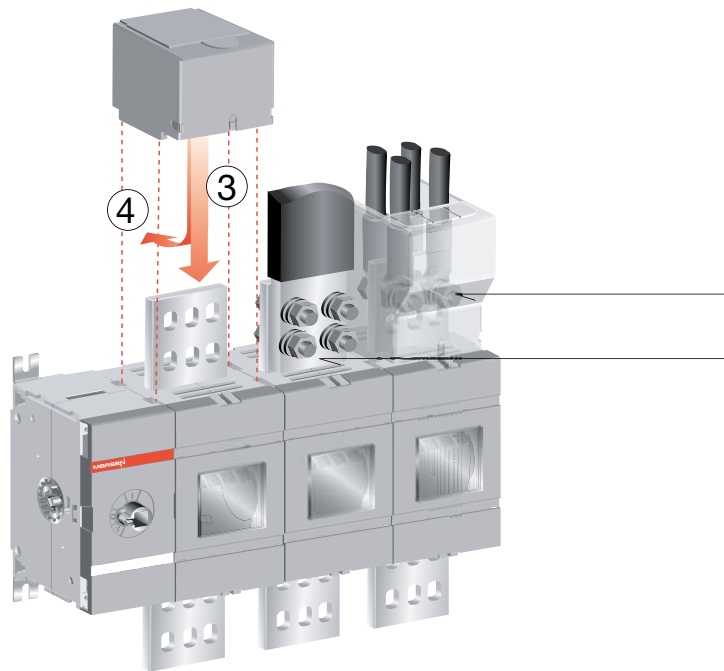
KA00069

2000-2500x Non-Fused

Terminal Shrouds



KA00066

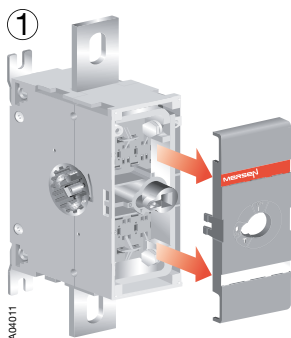


M12

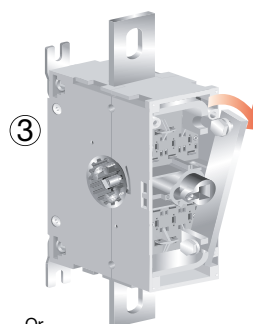
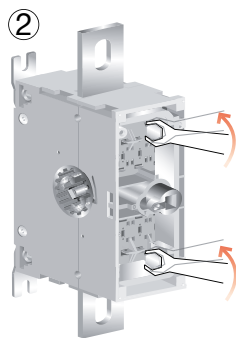
50...75 Nm

443-664 lb.in

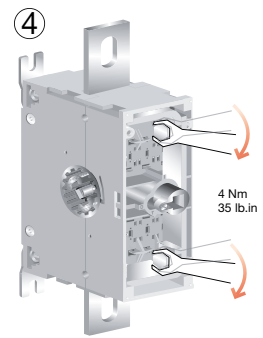
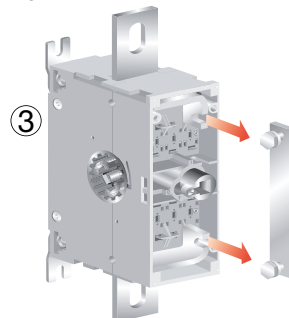
4Px2500 Neutral Pole



A6011



Or



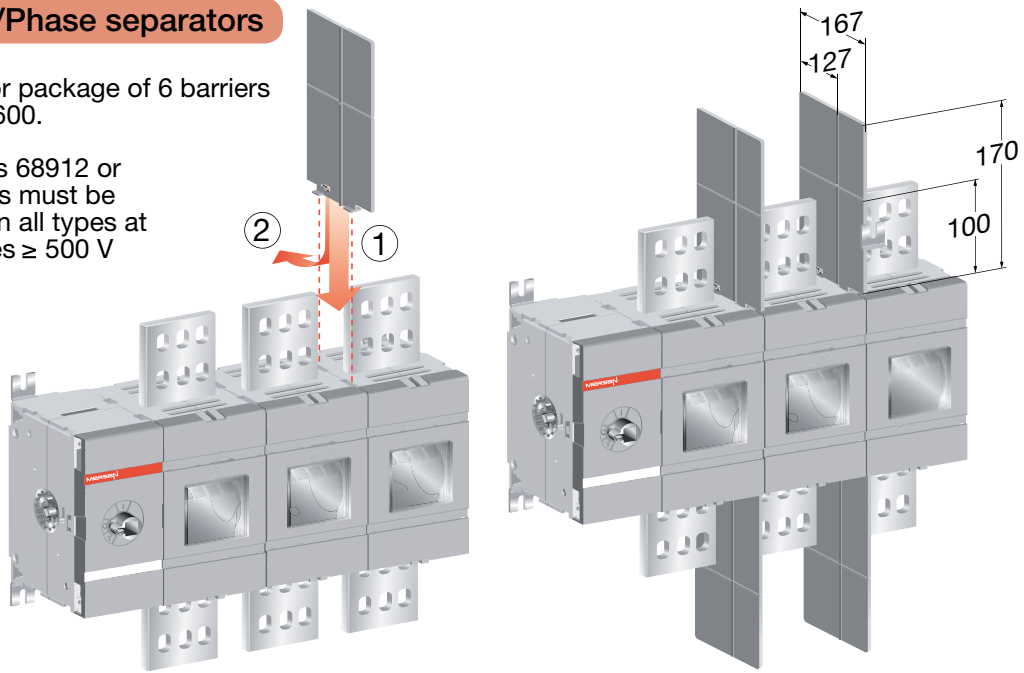
2000-2500x Non-Fused

Barriers/Phase separators

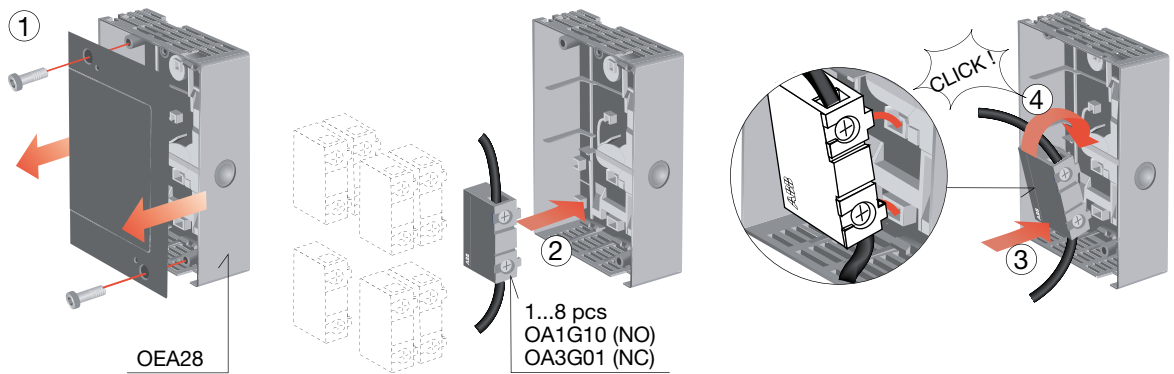
Type for package of 6 barriers is PS1600.

Barriers 68912 or shrouds must be used on all types at voltages ≥ 500 V

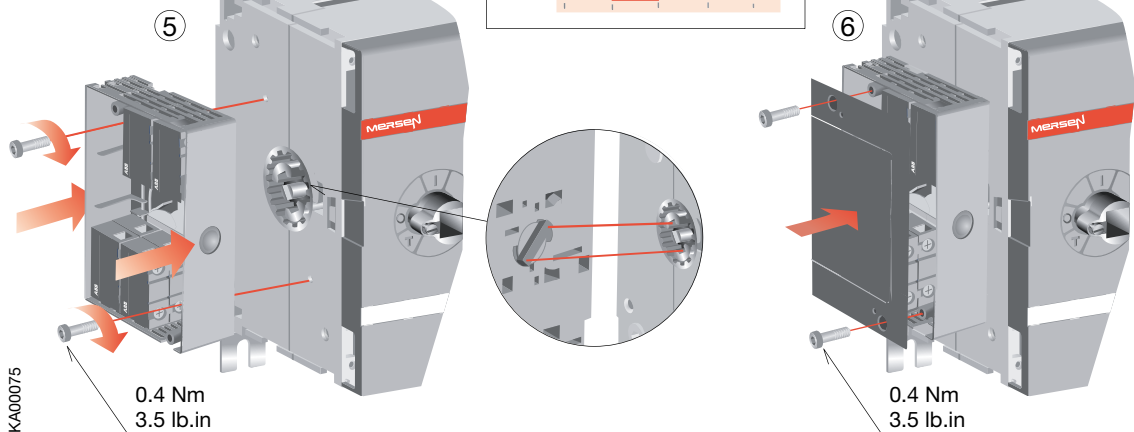
A04028



Externally-mounted Auxiliary contacts



	0	1	0	Test	0
Main	[Main contact status]				
NO	[NO contact status]				
NC	[NC contact status]				

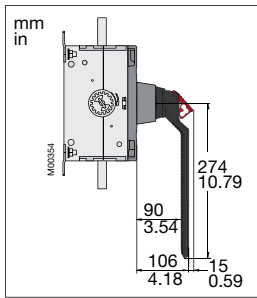
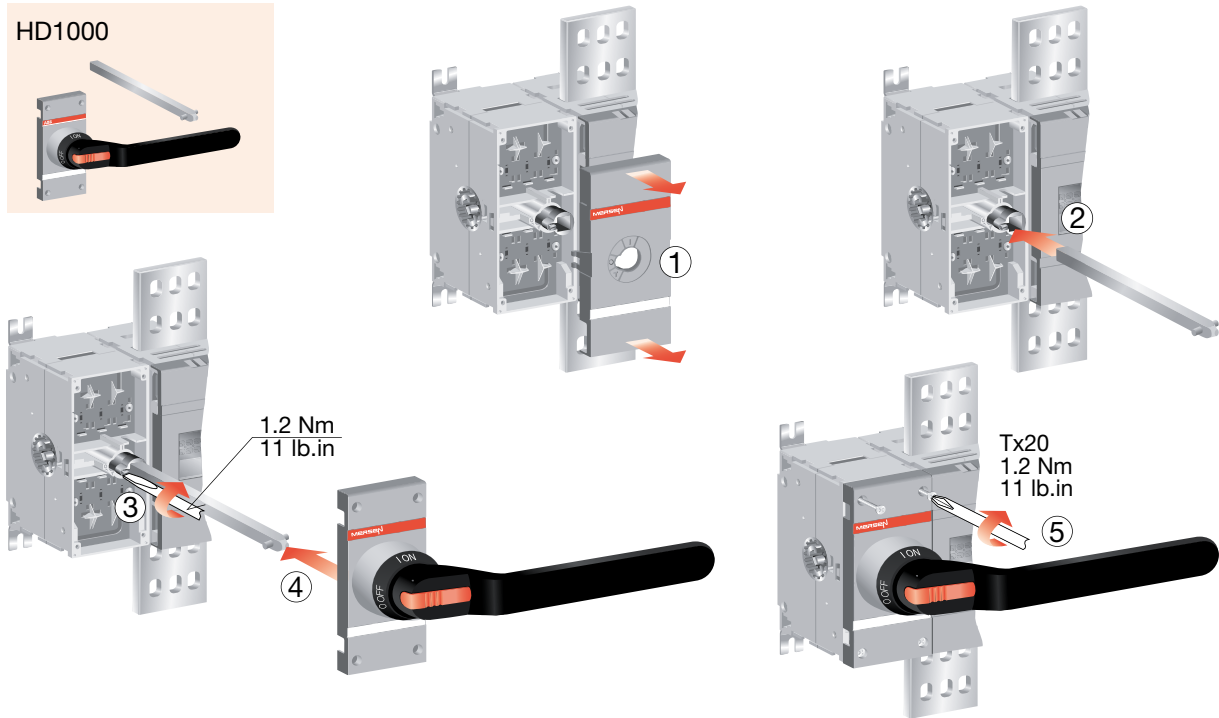


KA00075

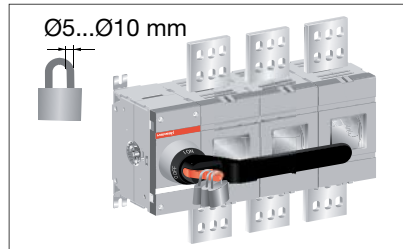
M2000-2500x Non-Fused

Handle direct

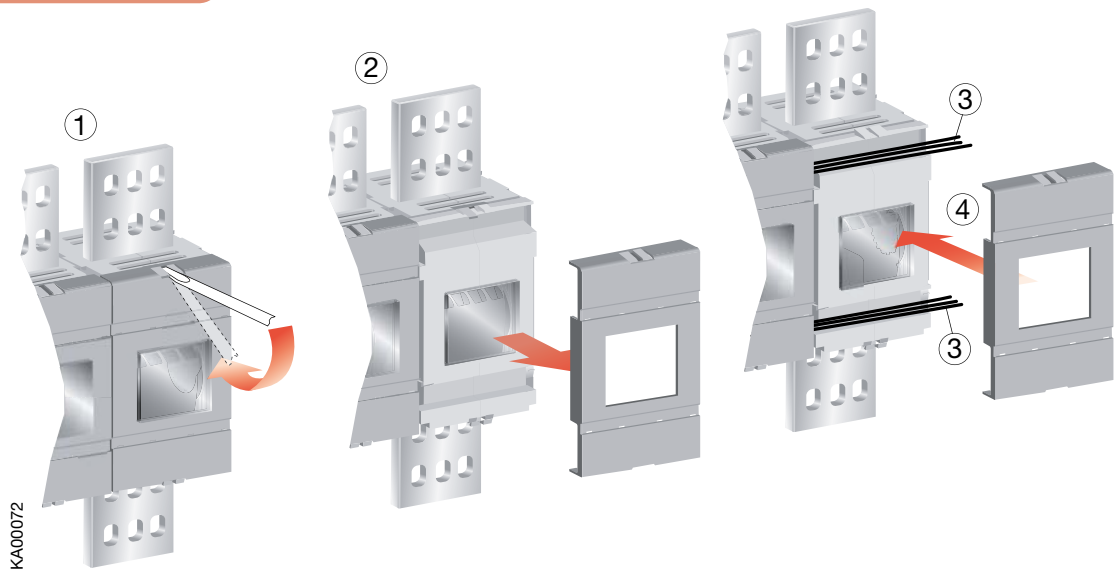
HD1000



Note: Use protection against direct contact. For example:



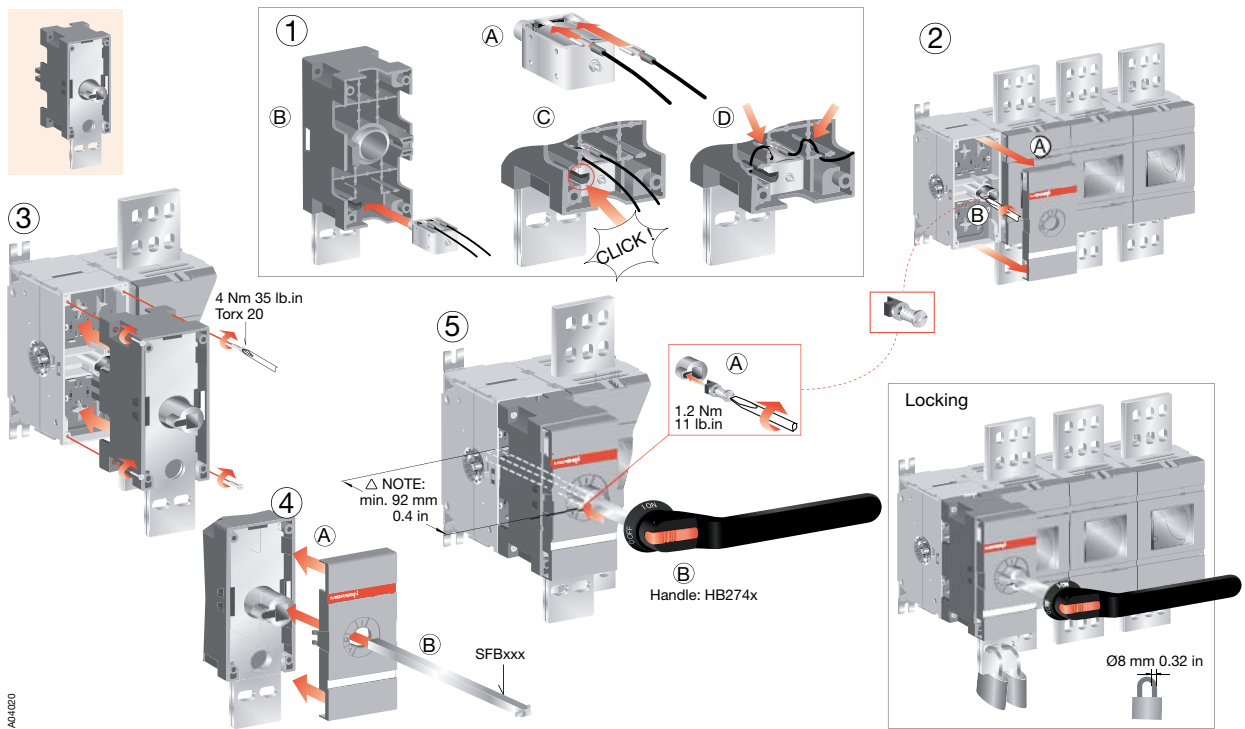
Control wiring



KA00072

2000-2500x Non-Fused

LON2500S LOFF2500S Locking mechanism



Internally-mounted Auxiliary contact

