

# Fuse Box 2000VDC

## ON BOARD FUSE BOX AND CONNEXION BOX

### FUSE BOX RANGE 750VDC - 1500VDC - 2000VDC



For more than 50 years, Mersen have been providing the market with safe, reliable and longer life time fuse boxes. These devices offer high performances and robustness for heavy duty requirements with very limited maintenance.

Mersen offers one of the largest product ranges on the market and have a Fuse Box solution that will meet your unique needs.

Our Fuse Box product line is rigorously engineered to meet your technical specifications and can see their dimensions be customised to your needs.

They can be installed vertically or horizontally on the roof or on the bogie.

They can include additional functions like Voltage or Current measurement system or relays for Voltage detection.

## TECHNICAL DATA OVERVIEW

Voltage DC	2000 VDC
Ampere Range (A)	160 ... 560 A
Breaking capacity	See DC fuse characteristics
Working Temperature	-20°C to +40°C

## FEATURES & BENEFITS

- Single shape moulded box and cover (not glued/screwed) which can be customised to your dimensions and have its number of entries and exits adapted
- Fuse Boxes can host 1, 2 or 3 different circuits with separate or common entries and exits
- Voltage range 750VDC; 1500VDC; 2000VDC IEC or UL Standard
- Current range up to 560A DC per box (2 fuses in parallel)
- Box Configuration can include additional functions like Fuse micro switches (blown fuse indication) or window
- Covers are equipped with captive screws
- Resistance to strong mechanical impacts, rain, snow, wind, sun and detergents, as well as some vibration.
- Polyester resin reinforced with 25% glass fiber, fire & smoke classification M1F1 under NF F 16 101/16 102, coated with GELCOAT, 300 to 400 µm thick, available in a variety of colors, fire & smoke classification M1F3 under NF F 16 101/16 102
- Can be mounted on U-shape rails with Micaver insulators or screwed onto moulded blind-hole inserts

## APPLICATIONS

- Auxiliary circuit protection

## STANDARDS

- IEC 61373 level 3
- M1F3 or M1F2 following NF F 16 101/16 102
- EN 45545



MERSEN reserves the right to change, update or correct, without notice, any information contained in this datasheet.

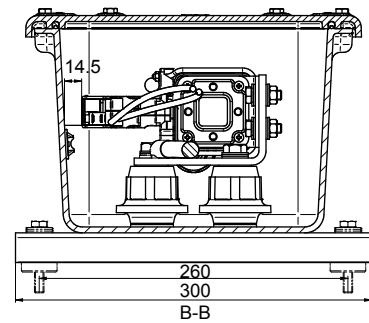
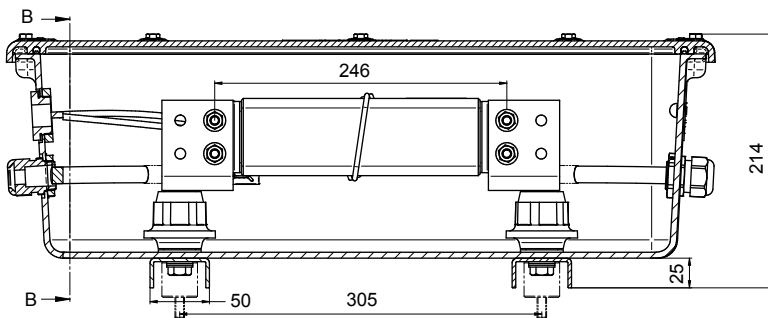
# Fuse Box 2000VDC

## TECHNICAL DATA

		Fuse_Box details
Mounting		Horizontal or Vertical
IP		55

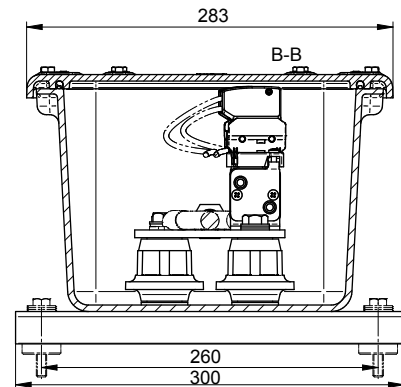
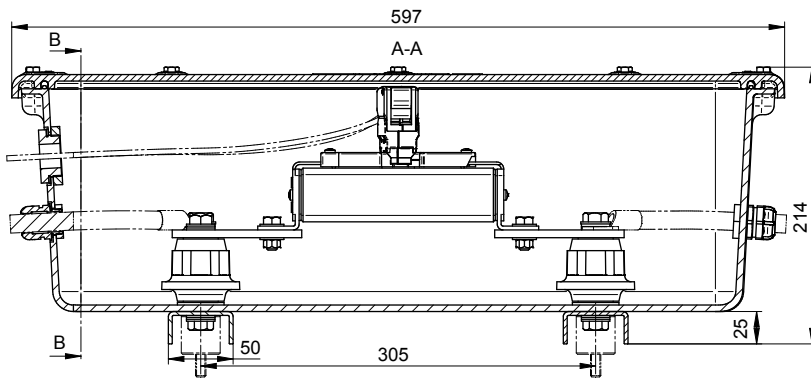
## DIMENSIONS

**2000VDC Fuse Box - 1 Fuse 302 with MC (160to 280Amp)**  
**DWG 1046190**

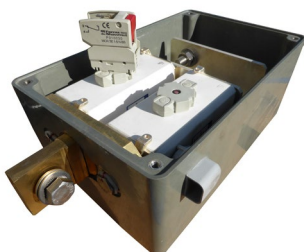


Dimensions in mm

**2000VDC Fuse Box - 2 Fuses 302 with MC (160; 560; 600Amp)**  
**DWG 1015002**



## FUNCTIONS



### Blown Fuse Indication

All fuses can be equipped with microswitches to signal their status (blown or not).

# Fuse Box 2000VDC

## FUNCTIONS



### Special Microswitch clamping

To secure the position of the microswitch, Mersen has developed a special clamping system



### Volt and Amp measurement

#### Voltage detection

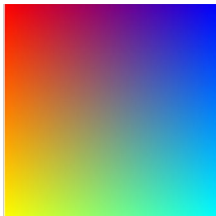
Fuse Box can include Volt and Amp measurement devices.

Fuse Box can include Voltage detection system using Mors HVDR relay.



### Blown fuse cover window

A window in the cover will help you to see the status of the fuse if you don't use the microswitches



### Colour

Initial colour of our Fuseboxes is RAL 7010 but we can change it for a specified color requested by you as per the RAL chart (mass tainted minimum 200 boxes), for purely cosmetic reasons.



### Training and technical support

All around the world, Mersen technical team can help you for technical support and can offer you customized training sessions for your Maintenance team.



### LCC; RAMS; Type tests

Mersen teams can supply Life Cycle Costs (LCC), Reliability Availability Maintainability Safety (RAMS), and Failure Mode and Effect Analysis (FMEA) studies. They can operate Qualification type tests.

# Fuse Box 2000VDC

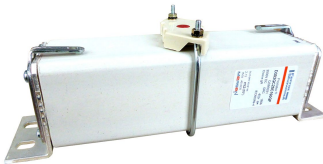
## ACCESSORIES



D1039235

### Cable Glands

Catalog number	Item number	Package	Weight
Cable Gland ISO Diam 50	D1039235	10 pieces	50 g
Cable Gland ISO Diam 40	B1039233	10 pieces	50 g
Cable Gland ISO Diam 32	P127364	10 pieces	50 g



S075755A

### Traction fuses

Catalog number	Item number	Package	Weight
CC 20 GRE 302 QF 160	S075755A	1 piece	2.3 kg
CC 20 GRE 302 QF 200	T075756A	1 piece	2.3 kg
CC 20 GRE 302 QF 250	V075757A	1 piece	2.3 kg
CC 20 GRE 302 QF 280	W075758A	1 piece	2.3 kg
MICROSWTCH HOLDER SIZE 30X	-	1 piece	0.15 kg